

### Lead in Drinking Water Test Results

As of 11/16/18

Sample Location	Fixture Type	1 <sup>st</sup> Draw Results (ppb)	15 Second Draw Results (ppb)	60 Second Draw Results (ppb)	Remedial Recommendation	Remedial Response	Post Remediation Test Results (ppb)
Kitchen Sink	SK	1.51	-	-	None	-	-
Hallway-Cafeteria	WF	1.05	-	-	None	-	-
Room 16	WF	ND	-	-	None	-	-
Hallway-Room 17	WF	3.43	-	-	None	-	-
Room 17	WF	1.11	-	-	None	-	-
Room 20	WF	4.94	-	-	None	-	-
Room 21	WF	3.33	-	-	None	-	-
Room 22	WF	4.2	-	-	None	-	-
Hallway-Room 8	WF	3.26	-	-	None	-	-
Room 8	WF	9.43	-	-	None	-	-
Room 7	WF	2.21	-	-	None	-	-
Room 6	WF	3.35	-	-	None	-	-
Room 5	WF	13.4	-	-	None	-	-
Room 4	WF	1.29	-	-	None	-	-
Room 3	WF	3.76	-	-	None	-	-
Room 1	WF	8.13	-	-	None	-	-
Room 2	WF	2.8	-	-	None	-	-
Room 10	WF	4.6	-	-	None	-	-
Room 11	WF	1.54	-	-	None	-	-
Room 12	WF	3.72	-	-	None	-	-
Room 13	WF	1.52	-	-	None	-	-
Room 14	WF	5.2	-	-	None	-	-

Lead in Drinking Water Test Results

As of 11/16/18

Sample Location	Fixture Type	1 <sup>st</sup> Draw Results (ppb)	15 Second Draw Results (ppb)	60 Second Draw Results (ppb)	Remedial Recommendation	Remedial Response	Post Remediation Test Results (ppb)
Teachers' Lounge Sink, 4/12/16	SK	18.3	3.6	2.7	FR	Completed FR	15 (5/20/2016) 20 (6/1/2016) #2.8 (6/12/2016)
CC by Kitchen	SS	18			FR	SIGN	-
Room 15 BR	SK	5.4	-	-	None	-	-
Girls BR by Room 16 @ (A)	SK	10	-	-	None	-	-
Girls BR by Room 16 @ (A) [New Fixture 2018]	SK	5.46	-	-	None	-	-
Girls BR by Room 16 @ (B)	SK	2.1	-	-	None	-	-
Girls BR by Room 16 @ (B) [New Fixture 2018]	SK	17.9			FR	Completed FR	7.42
Girls BR by Room 16 @ (C)	SK	12	-	-	None	-	-
Girls BR by Room 16 @ (C) [New Fixture 2018]	SK	26.4			FR	Completed FR	9.15
CC 3 by Room 16	SS	4.6	-	-	None	-	-
Boys BR by Room 16 @ (A)	SK	5.4	-	-	None	-	-
Boys BR by Room 16 @ (A) [New Fixture 2018]	SK	14.1	-	-	None	-	-
Boys BR by Room 16 @ (B)	SK	10	-	-	None	-	-
Boys BR by Room 16 @ (B) [New Fixture 2018]	SK	26.4			FR	Completed FR	16.8 (9/11/2018) #11.5 (10/2/2018)
Boys BR by Room 16 @ (C)	SK	13	-	-	None	-	-
Boys BR by Room 16 @ (C) [New Fixture 2018]	SK	24.8			FR	Completed FR	10.8
Room 16	SK	28			FR	Completed FR	<1.0
Room 17	SK	3.2	-	-	None	-	-
Room 18	SK	5.4	-	-	None	-	-

### Lead in Drinking Water Test Results

As of 11/16/18

Sample Location	Fixture Type	1 <sup>st</sup> Draw Results (ppb)	15 Second Draw Results (ppb)	60 Second Draw Results (ppb)	Remedial Recommendation	Remedial Response	Post Remediation Test Results (ppb)
Room 20	SK	8.7	-	-	None	-	-
Room 21	SK	7.9	-	-	None	-	-
Room 22	SK	9.3	-	-	None	-	-
Kitchen Prep @ (A)	SK	7.7	-	-	None	-	-
Kitchen Prep @ (B)	SK	2.2	-	-	None	-	-
<b>Kitchen</b>	<b>SPRAY</b>	<b>16</b>			<b>FR</b>	<b>Completed FR</b>	<b>9.3</b>
Kitchen Handwash	SK	6.5	-	-	None	-	-
Custodial Office BR	SK	5.6	-	-	None	-	-
Men's BR	SK	6.7	-	-	None	-	-
Nurse's BR	SK	4	-	-	None	-	-
<b>Nurse's BR [Fixture Replaced 2018]</b>	<b>SK</b>	<b>20.8</b>			<b>FR</b>	<b>Completed FR</b>	<b>6.72</b>
Women's BR @ (A)	SK	<1.0	-	-	None	-	-
Women's BR @ (B)	SK	<1.0	-	-	None	-	-
<b>Room 10</b>	<b>SK</b>	<b>19</b>			<b>FR</b>	<b>Completed FR</b>	<b>&lt;1.0</b>
<b>Room 11</b>	<b>SK</b>	<b>16</b>			<b>FR</b>	<b>Completed FR</b>	<b>&lt;1.0</b>
<b>Room 12</b>	<b>SK</b>	<b>21</b>			<b>FR</b>	<b>Completed FR</b>	<b>1.2</b>
<b>Room 13</b>	<b>SK</b>	<b>32</b>			<b>FR</b>	<b>Completed FR</b>	<b>&lt;1.0</b>
<b>Room 14</b>	<b>SK</b>	<b>30</b>			<b>FR</b>	<b>Completed FR</b>	<b>2.4</b>
Boys BR by Room 10 @ (A)	SK	9.6	-	-	None	-	-
Boys BR by Room 10 @ (B)	SK	12	-	-	None	-	-
CC by Room 8	SS	6.2	-	-	None	-	-
Girls BR by Room 8 @ (A)	SK	1.8	-	-	None	-	-
Girls BR by Room 8 @ (B)	SK	3	-	-	None	-	-

Lead in Drinking Water Test Results

As of 11/16/18

Sample Location	Fixture Type	1 <sup>st</sup> Draw Results (ppb)	15 Second Draw Results (ppb)	60 Second Draw Results (ppb)	Remedial Recommendation	Remedial Response	Post Remediation Test Results (ppb)
Room 8	SK	15	-	-	None	-	-
Room 8 BR	SK	7.5	-	-	None	-	-
Room 7	SK	3.2	-	-	None	-	-
<b>Room 7 BR</b>	<b>SK</b>	<b>18</b>			<b>FR</b>	<b>Completed FR</b>	<b>&lt;1.0</b>
Room 6	SK	14	-	-	None	-	-
Room 6 BR	SK	10	-	-	None	-	-
Room 5	SK	8.1	-	-	None	-	-
Room 5 BR	SK	11	-	-	None	-	-
Room 4	SK	9.9	-	-	None	-	-
<b>Room 4 BR</b>	<b>SK</b>	<b>35</b>			<b>FR</b>	<b>Completed FR</b>	<b>&lt;1.0</b>
<b>Room 3</b>	<b>SK</b>	<b>28</b>			<b>FR</b>	<b>Completed FR</b>	<b>1.1</b>
Room 3 BR	SK	13	-	-	None	-	-
<b>Room 1</b>	<b>SK</b>	<b>22</b>			<b>FR</b>	<b>Completed FR</b>	<b>&lt;1.0</b>
Room 1 BR	SK	4.6	-	-	None	-	-
Room 2	SK	11	-	-	None	-	-
Room2 BR	SK	2.2	-	-	None	-	-

## Code Key

### Remediation Type Codes

FR	=	Fixture replacement
FRSLV	=	Replacement of fixture, supply lines, and valves
FRSLVPA	=	Replacement of fixture, supply lines, valves and plumbing assessment
SIGN	=	Warning sign posting
CAP	=	Remove fixture or cap line

### Room ID Codes

CC	=	Custodian Closet
MPR	=	Multi Purpose Room
Café	=	Cafeteria
Sci	=	Science Lab
PE	=	Physical Ed
BR	=	Bathroom
LR	=	Locker Room
RM	=	Room

### Fixture Type Codes

WF	=	Water Fountain
SK	=	Sink
SS	=	Slop Sink
SP	=	Spigot
PF	=	Pot Filler
HB	=	Hose Bib
IM	=	Ice Machine
WC	=	Water Cooler
SH	=	Shower
SL	=	Supply Line

### Result Code

ND	=	Not Detected
<	=	Less Than
-	=	No Testing Required
#	=	When seen in the Post Remediation Test Results: after numerous failing tests, the Hashtag is used to show a passing result



Lead in Drinking Water Test Results

As of 11/16/18

Sample Location	Fixture Type	1 <sup>st</sup> Draw Results (ppb)	15 Second Draw Results (ppb)	60 Second Draw Results (ppb)	Remedial Recommendation	Remedial Response	Post Remediation Test Results (ppb)
<b>Hallway Room 9</b>	WF	20.7	1.9	1.6	FR	Completed FR	13
Room 7	WF	12.4	-	-	None	-	-
Room 8	WF	4.69	-	-	None	-	-
Room 6	WF	5.8	-	-	None	-	-
Room 5	WF	6.59	-	-	None	-	-
Room 4	WF	2.12	-	-	None	-	-
Room 3	WF	2.22	-	-	None	-	-
Room 1	WF	4.4	-	-	None	-	-
Room 2	WF	5.35	-	-	None	-	-
Room 14	WF	7.06	-	-	None	-	-
<b>Hallway Library, 4/7/16</b>	WF	15.8	7.3	2.3	FR	Completed FR	12
Room 17	WF	8.03	-	-	None	-	-
Room 19	WF	4.69	-	-	None	-	-
Room 18	WF	3.93	-	-	None	-	-
Room 21	WF	6.4	-	-	None	-	-
Room 20	WF	5.89	-	-	None	-	-
Room 23	WF	6.9	-	-	None	-	-
Room 22	WF	10.6	-	-	None	-	-
Hallway Room 24	WF	11.3	-	-	None	-	-
Room 24	WF	8.86	-	-	None	-	-
Room 25	WF	7.56	-	-	None	-	-
Room 26	WF	2.19	-	-	None	-	-

Lead in Drinking Water Test Results

As of 11/16/18

Sample Location	Fixture Type	1 <sup>st</sup> Draw Results (ppb)	15 Second Draw Results (ppb)	60 Second Draw Results (ppb)	Remedial Recommendation	Remedial Response	Post Remediation Test Results (ppb)
Room 27	WF	3.5	-	-	None	-	-
Across Lunch Room	WF	1.64	-	-	None	-	-
By Gym	WF	3.52	-	-	None	-	-
Kitchen	WF	5.66	-	-	None	-	-
Nurse's Office	SK	5.3	-	-	None	-	-
Nurse's Office BR	SK	21			FR	Completed FR [New Fixture 2018]	31.9 (8/31/2018) #6.21 (9/11/2018)
Room 9	SK	16			FR	SIGN	
Kindergarten Wing-Women's BR	SK	4.3	-	-	None	-	-
Kindergarten Wing Men's BR	SK	8.7	-	-	None	-	-
Kindergarten Wing Custodial Closet	SS	6.5	-	-	None	-	-
Room 7	SK	3.8	-	-	None	-	-
Room 8	SK	12	-	-	None	-	-
Room 5	SK	9.7	-	-	None	-	-
Room 6	SK	<2.5	-	-	None	-	-
Room 3	SK	<2.5	-	-	None	-	-
Room 4	SK	12	-	-	None	-	-
Room 1	SK	6.6	-	-	None	-	-
Room 2	SK	3.6	-	-	None	-	-
Kindergarten Wing CC by Room 2	SS	23			FR	SIGN	
Room 11	SK	<2.5	-	-	None	-	-
Room 12-BR	SK	12	-	-	None	-	-
Room 14	SK	19			FR	SIGN	

Lead in Drinking Water Test Results

As of 11/16/18

Sample Location	Fixture Type	1 <sup>st</sup> Draw Results (ppb)	15 Second Draw Results (ppb)	60 Second Draw Results (ppb)	Remedial Recommendation	Remedial Response	Post Remediation Test Results (ppb)
Room 14-BR	SK	12	-	-	None	-	-
Library	SK	32			FR	SIGN	
Room 17	SK	28			FR	SIGN	
Room 16	SK	21			FR	SIGN	
Room 19	SK	13	-	-	None	-	-
Room 18	SK	9.6	-	-	None	-	-
Room 21	SK	33			FR	SIGN	
Room 20	SK	28			FR	SIGN	
Room 23	SK	11	-	-	None	-	-
Room 22	SK	19			FR	SIGN	
Room 24	SK	25			FR	SIGN	
Boy's BR by Room 24 @ (A)	SK	6.6	-	-	None	-	-
Boy's BR by Room 24 @ (B)	SK	5.8	-	-	None	-	-
Boy's BR by Room 24 @ (C)	SK	5.9	-	-	None	-	-
Boy's BR by Room 24 @ (D)	SK	13	-	-	None	-	-
Boy's BR by Room 24 @ (E)	SK	35			FR	SIGN	
Faculty BR by Room 24	SK	3.6	-	-	None	-	-
Storage Closet by Room 24	SS	4.3	-	-	None	-	-
Girls BR by Room 25 @ (A)	SK	6.6	-	-	None	-	-
Girls BR by Room 25 @ (B)	SK	3.9	-	-	None	-	-
Girls BR by Room 25 @ (C)	SK	14	-	-	None	-	-
Room 25	SK	26			FR	SIGN	



Lead in Drinking Water Test Results

As of 11/16/18

Sample Location	Fixture Type	1 <sup>st</sup> Draw Results (ppb)	15 Second Draw Results (ppb)	60 Second Draw Results (ppb)	Remedial Recommendation	Remedial Response	Post Remediation Test Results (ppb)
Room 26	SK	21			FR	SIGN	
Room 27 Unit 1 @ (A)	SK	11	-	-	None	-	-
Room 27 Unit 1 @ (B)	SK	17			FR	SIGN	
Room 27 Unit 1 @ (C)	SK	5.8	-	-	None	-	-
Room 27 Unit 1 @ (D)	SK	<2.5	-	-	None	-	-
Women's BR by Gym	SK	<2.5	-	-	None	-	-
Kitchen Hand Sink by Door	SK	<2.5	-	-	None	-	-
Kitchen Hand Sink by Fridge	SK	6.8	-	-	None	-	-
Kitchen Double Wash-Sanitizer Sink	SK	19			FR	SIGN	
Kitchen Dishwasher Sprayer	SK	27			FR	SIGN	
Kitchen Small Center Sink	SK	5.3	-	-	None	-	-
Kitchen BR	SK	29			FR	SIGN	
Custodial Closet by Kitchen	SS	7.9	-	-	None	-	-
Phys Ed Office	SK	640			FR	SIGN	
Custodian's Office BR	SK	4.8	-	-	None	-	-

## Code Key

### Remediation Type Codes

FR	=	Fixture replacement
FRSLV	=	Replacement of fixture, supply lines, and valves
FRSLVPA	=	Replacement of fixture, supply lines, valves and plumbing assessment
SIGN	=	Warning sign posting
CAP	=	Remove fixture or cap line

### Room ID Codes

CC	=	Custodian Closet
MPR	=	Multi Purpose Room
Café	=	Cafeteria
Sci	=	Science Lab
PE	=	Physical Ed
BR	=	Bathroom
LR	=	Locker Room
RM	=	Room

### Fixture Type Codes

WF	=	Water Fountain
SK	=	Sink
SS	=	Slop Sink
SP	=	Spigot
PF	=	Pot Filler
HB	=	Hose Bib
IM	=	Ice Machine
WC	=	Water Cooler
SH	=	Shower
SL	=	Supply Line

### Result Code

ND	=	Not Detected
<	=	Less Than
-	=	No Testing Required
#	=	When seen in the Post Remediation Test Results: after numerous failing tests, the Hashtag is used to show a passing result



Lead in Drinking Water Test Results

As of 11/16/18

Sample Location	Fixture Type	1 <sup>st</sup> Draw Results (ppb)	15 Second Draw Results (ppb)	60 Second Draw Results (ppb)	Remedial Recommendation	Remedial Response	Post Remediation Test Results (ppb)
Kitchen Sink	SK	3.5	-	-	None	-	-
Hallway-Gym	WF	2.45	-	-	None	-	-
Room 16	WF	2.34	-	-	None	-	-
Hallway-Room 17	WF	4.7	-	-	None	-	-
Room 17	WF	3.06	-	-	None	-	-
Room 18	WF	2.28	-	-	None	-	-
Room 19	WF	3.31	-	-	None	-	-
Room 22	WF	3.39	-	-	None	-	-
Room 21	WF	2.38	-	-	None	-	-
Faculty Lounge Sink	SK	9.18	-	-	None	-	-
Room 5	WF	2.54	-	-	None	-	-
Room 4	WF	5.05	-	-	None	-	-
Room 3	WF	1.59	-	-	None	-	-
Room 1	WF	1.28	-	-	None	-	-
Room 2	WF	6.05	-	-	None	-	-
Hallway-Conference Room	WF	1.69	-	-	None	-	-
Room 7	WF	1.81	-	-	None	-	-
Room 8	WF	4.88	-	-	None	-	-
Room 009	WF	1.49	-	-	None	-	-
Room 10	WF	2.24	-	-	None	-	-
Room 011	WF	1.42	-	-	None	-	-
Room 12	WF	1.53	-	-	None	-	-

### Lead in Drinking Water Test Results

As of 11/16/18

Sample Location	Fixture Type	1 <sup>st</sup> Draw Results (ppb)	15 Second Draw Results (ppb)	60 Second Draw Results (ppb)	Remedial Recommendation	Remedial Response	Post Remediation Test Results (ppb)
Room 13	WF	1.16	-	-	None	-	-
Room 014	WF	2.76	-	-	None	-	-
Kitchen Handwash	SK	5	-	-	None	-	-
Kitchen Dishwash station @ (A)	SK	2.8	-	-	None	-	-
Kitchen Dishwash station @ (B)	SK	2.9	-	-	None	-	-
<b>Kitchen Dishwash</b>	<b>SPRAY</b>	<b>27</b>			<b>FR</b>	<b>Completed FR</b>	<b>2.1</b>
Room 15 BR	SK	4.5	-	-	None	-	-
Room 16	SK	7.1	-	-	None	-	-
Room 17	SK	4.7	-	-	None	-	-
Room 18	SK	5	-	-	None	-	-
Room 19	SK	3.1	-	-	None	-	-
Room 21	SK	6.4	-	-	None	-	-
Room 22	SK	3.9	-	-	None	-	-
Boy's BR by RM 16 @ (A)	SK	3.4	-	-	None	-	-
<b>Boy's BR by RM 16 @ (A) [New Fixture 2018]</b>	<b>SK</b>	<b>64</b>			<b>FR</b>	<b>SIGN</b>	<b>17.2 (9/11/2018) 105 (10/2/2018)</b>
Boy's BR by RM 16 @ (B)	SK	3.7	-	-	None	-	-
<b>Boy's BR by RM 16 @ (B) [New Fixture 2018]</b>	<b>SK</b>	<b>37.6</b>			<b>FR</b>	<b>Completed FR</b>	<b>9.78</b>
Boy's BR by RM 16 @ (C)	SK	2.9	-	-	None	-	-
Boy's BR by RM 16 @ (C) [New Fixture 2018]	SK	11.5	-	-	None	-	-
CC by RM 16	SS	2.1	-	-	None	-	-
Girl's BR by RM 16 @ (A)	SK	<1.0	-	-	None	-	-

### Lead in Drinking Water Test Results

As of 11/16/18

Sample Location	Fixture Type	1 <sup>st</sup> Draw Results (ppb)	15 Second Draw Results (ppb)	60 Second Draw Results (ppb)	Remedial Recommendation	Remedial Response	Post Remediation Test Results (ppb)
Girl's BR by RM 16 @ (A) [New Fixture 2018]	SK	12.8	-	-	None	-	-
Girl's BR by RM 16 @ (B)	SK	<1.0	-	-	None	-	-
Girl's BR by RM 16 @ (B) [New Fixture 2018]	SK	11.3	-	-	None	-	-
Girl's BR by RM 16 @ (C)	SK	1.5	-	-	None	-	-
Girl's BR by RM 16 @ (C) [New Fixture 2018]	SK	6.69	-	-	None	-	-
CC by Gym	SS	8.2	-	-	None	-	-
Men's BR by Gym	SK	6.5	-	-	None	-	-
Nurse's Office BR	SK	3.6	-	-	None	-	-
Nurse's Office BR [New Fixture 2018]	SK	5.6	-	-	None	-	-
Faculty Room	SK	1.3	-	-	None	-	-
Women's BR by Faculty RM @ (B)	SK	2.8	-	-	None	-	-
Room 8	SK	3.3	-	-	None	-	-
<b>Room 10</b>	<b>SK</b>	<b>16</b>			<b>FR</b>	<b>Completed FR</b>	<b>8.56</b>
Room 10 BR	SK	13	-	-	None	-	-
Room 12	SK	1	-	-	None	-	-
Room 14	SK	6.5	-	-	None	-	-
Room 13	SK	3	-	-	None	-	-
Room 11	SK	6.9	-	-	None	-	-
Room 9	SK	1.8	-	-	None	-	-
Room 7	SK	1.8	-	-	None	-	-
Room 7B	SK	3.2	-	-	None	-	-

Lead in Drinking Water Test Results

As of 11/16/18

Sample Location	Fixture Type	1 <sup>st</sup> Draw Results (ppb)	15 Second Draw Results (ppb)	60 Second Draw Results (ppb)	Remedial Recommendation	Remedial Response	Post Remediation Test Results (ppb)
Girl's BR by RM 7 @ (A)	SK	2.5	-	-	None	-	-
Girl's BR by RM 7 @ (B)	SK	5.6	-	-	None	-	-
CC by RM 7	SS	3.7	-	-	None	-	-
Boy's BR by RM 7 @ (A)	SK	6.6	-	-	None	-	-
Room 5	SK	1	-	-	None	-	-
Room 5 BR	SK	3.3	-	-	None	-	-
Room 3	SK	<1.0	-	-	None	-	-
Room 3 BR	SK	2.7	-	-	None	-	-
Room 1	SK	2.3	-	-	None	-	-
Room 1 BR	SK	6.5	-	-	None	-	-
Room 2	SK	5.5	-	-	None	-	-
<b>Room 2 BR</b>	<b>SK</b>	<b>17</b>			<b>FR</b>	<b>Completed FR</b>	<b>1.29</b>
Room 4	SK	2.5	-	-	None	-	-
Room 4 BR	SK	1.9	-	-	None	-	-

## Code Key

### Remediation Type Codes

FR	=	Fixture replacement
FRSLV	=	Replacement of fixture, supply lines, and valves
FRSLVPA	=	Replacement of fixture, supply lines, valves and plumbing assessment
SIGN	=	Warning sign posting
CAP	=	Remove fixture or cap line

### Room ID Codes

CC	=	Custodian Closet
MPR	=	Multi Purpose Room
Café	=	Cafeteria
Sci	=	Science Lab
PE	=	Physical Ed
BR	=	Bathroom
LR	=	Locker Room
RM	=	Room

### Fixture Type Codes

WF	=	Water Fountain
SK	=	Sink
SS	=	Slop Sink
SP	=	Spigot
PF	=	Pot Filler
HB	=	Hose Bib
IM	=	Ice Machine
WC	=	Water Cooler
SH	=	Shower
SL	=	Supply Line

### Result Code

ND	=	Not Detected
<	=	Less Than
-	=	No Testing Required
#	=	When seen in the Post Remediation Test Results: after numerous failing tests, the Hashtag is used to show a passing result



Lead in Drinking Water Test Results

As of 11/16/18

Sample Location	Fixture Type	1 <sup>st</sup> Draw Results (ppb)	15 Second Draw Results (ppb)	60 Second Draw Results (ppb)	Remedial Recommendation	Remedial Response	Post Remediation Test Results (ppb)
Hallway At Cafeteria	WF	ND	-	-	None	-	-
Hallway-Room 17	WF	ND	-	-	None	-	-
Room 21	WF	ND	-	-	None	-	-
Room 19	WF	1.55	-	-	None	-	-
Room 18	WF	3.08	-	-	None	-	-
Room 17	WF	2.98	-	-	None	-	-
Room 16	WF	1.2	-	-	None	-	-
Hallway-Room 8	WF	ND	-	-	None	-	-
Room 8	WF	ND	-	-	None	-	-
Room 7	WF	ND	-	-	None	-	-
Room 6	WF	ND	-	-	None	-	-
Room 5	WF	ND	-	-	None	-	-
Room 4	WF	ND	-	-	None	-	-
Room 3	WF	ND	-	-	None	-	-
Room 1	WF	ND	-	-	None	-	-
Room 10	WF	1.85	-	-	None	-	-
Room 11	WF	1.5	-	-	None	-	-
Room 12	WF	ND	-	-	None	-	-
Room 13	WF	2.42	-	-	None	-	-
Room 14	WF	ND	-	-	None	-	-
Kitchen Sink	SK	10.8	-	-	None	-	-
Dishwasher Station @ (A)	SK	17			FR	SIGN	



Lead in Drinking Water Test Results

As of 11/16/18

Sample Location	Fixture Type	1 <sup>st</sup> Draw Results (ppb)	15 Second Draw Results (ppb)	60 Second Draw Results (ppb)	Remedial Recommendation	Remedial Response	Post Remediation Test Results (ppb)
Dishwasher Station @ (B)	SK	2.4	-	-	None	-	-
Dishwasher Station	SPRAY	<1.0	-	-	None	-	-
Room 15 BR	SK	2.5	-	-	None	-	-
Room 16	SK	1.1	-	-	None	-	-
Room 17	SK	5.4	-	-	None	-	-
Room 18	SK	2.1	-	-	None	-	-
Room 19	SK	11	-	-	None	-	-
Room 21	SK	5.4	-	-	None	-	-
Room 22	SK	4.4	-	-	None	-	-
Boy's BR by RM 16 @ (A)	SK	<1.0	-	-	None	-	-
Boy's BR by RM 16 @ (B)	SK	<1.0	-	-	None	-	-
CC Across RM 16	SS	2.8	-	-	None	-	-
Girl's BR by RM 16 @ (A)	SK	1.7	-	-	None	-	-
Girl's BR by RM 16 @ (B)	SK	1.9	-	-	None	-	-
CC Across GYM	SS	13	-	-	None	-	-
Nurse's Office BR	SK	<1.0	-	-	None	-	-
Nurse's Office BR [Fixture Summer 2018]	SK	1.89	-	-	None	-	-
Faculty Lounge	SK	1.5	-	-	None	-	-
Room 7	SK	5	-	-	None	-	-
Room 7 BR	SK	1	-	-	None	-	-
Room 5	SK	5.2	-	-	None	-	-
Room 5 BR	SK	10	-	-	None	-	-

Lead in Drinking Water Test Results

As of 11/16/18

Sample Location	Fixture Type	1 <sup>st</sup> Draw Results (ppb)	15 Second Draw Results (ppb)	60 Second Draw Results (ppb)	Remedial Recommendation	Remedial Response	Post Remediation Test Results (ppb)
Room 3	SK	1.1	-	-	None	-	-
Room 3 BR	SK	15	-	-	None	-	-
Room 1	SK	1.9	-	-	None	-	-
Room 1 BR	SK	9.1	-	-	None	-	-
Room 2	SK	2	-	-	None	-	-
Room 2 BR	SK	2.4	-	-	None	-	-
Room 4	SK	2.4	-	-	None	-	-
Room 4 BR	SK	<1.0	-	-	None	-	-
Room 6	SK	<1.0	-	-	None	-	-
Room 6 BR	SK	3.5	-	-	None	-	-
Room 8	SK	2.2	-	-	None	-	-
Room 8 BR	SK	11	-	-	None	-	-
Girl's BR by RM 8 @ (A)	SK	3.5	-	-	None	-	-
Girl's BR by RM 8 @ (B)	SK	2.8	-	-	None	-	-
<b>CC by RM 8</b>	<b>SS</b>	<b>17</b>			<b>FR</b>	<b>SIGN</b>	
Boy's BR by RM 8 @ (A)	SK	1.1	-	-	None	-	-
Boy's BR by RM 8 @ (B)	SK	4.6	-	-	None	-	-
Room 10	SK	2.4	-	-	None	-	-
Room 12	SK	1	-	-	None	-	-
Room 14	SK	3.9	-	-	None	-	-
Room 13	SK	2.5	-	-	None	-	-
Room 11	SK	4.3	-	-	None	-	-

## Code Key

### Remediation Type Codes

FR	=	Fixture replacement
FRSLV	=	Replacement of fixture, supply lines, and valves
FRSLVPA	=	Replacement of fixture, supply lines, valves and plumbing assessment
SIGN	=	Warning sign posting
CAP	=	Remove fixture or cap line

### Room ID Codes

CC	=	Custodian Closet
MPR	=	Multi Purpose Room
Café	=	Cafeteria
Sci	=	Science Lab
PE	=	Physical Ed
BR	=	Bathroom
LR	=	Locker Room
RM	=	Room

### Fixture Type Codes

WF	=	Water Fountain
SK	=	Sink
SS	=	Slop Sink
SP	=	Spigot
PF	=	Pot Filler
HB	=	Hose Bib
IM	=	Ice Machine
WC	=	Water Cooler
SH	=	Shower
SL	=	Supply Line

### Result Code

ND	=	Not Detected
<	=	Less Than
-	=	No Testing Required
#	=	When seen in the Post Remediation Test Results: after numerous failing tests, the Hashtag is used to show a passing result



Lead in Drinking Water Test Results

As of 11/16/18

Sample Location	Fixture Type	1 <sup>st</sup> Draw Results (ppb)	15 Second Draw Results (ppb)	60 Second Draw Results (ppb)	Remedial Recommendation	Remedial Response	Post Remediation Test Results (ppb)
Room 209	WF	32.9	9.7	2.1	FR	Completed FR	23 (5/20/2016) 45 (6/1/2016) #9.4 (6/12/2016)
Room 207	WF	21.3	6.6	2.7	FR	Completed FR	20 (5/20/2016) 37 (6/1/2016) #9.3 (6/9/2016)
Room 205	WF	22	4.8	1.6	FR	Completed FR	14
Room 203	WF	43.8	5.8	2.8	FR	Completed FR	38 (5/20/2016) 23 (6/1/2016) #12 (6/12/2016)
Room 201	WF	41.6	6.7	2.4	FR	Completed FR	29 (5/20/2016) 15 (6/1/2016) #6.5 (6/12/2016)
Room 202	WF	32.9	9.5	5	FR	Completed FR	36 (5/20/2016) 14 (6/1/2016) 16 (6/12/2016) #5.8 (6/14/2016)
Room 202A	SK	173	17	5	FRSLV	Completed FR	84 (5/20/2016) 78 (6/1/2016) #10 (6/12/2016)
Room 204	WF	50.7	13	2.5	FR	Completed FR	31 (5/20/2016) 21 (6/1/2016) #12 (6/12/2016)
Room 217	WF	26.7	3.2	3.2	FR	Completed FR	22 (5/20/2016) 39 (6/1/2016) #11 (6/9/2016)
Room 118	WF	87.2	5.3	4.2	FR	CAP	60 (5/20/2016)

### Lead in Drinking Water Test Results

As of 11/16/18

Sample Location	Fixture Type	1 <sup>st</sup> Draw Results (ppb)	15 Second Draw Results (ppb)	60 Second Draw Results (ppb)	Remedial Recommendation	Remedial Response	Post Remediation Test Results (ppb)
Room 116	WF	93.1	14	7.6	FR	CAP	33 (5/20/2016)
Room 115	WF	64.4	42	24	FRSLVPA	CAP	25 (5/20/2016)
Room 114	WF	127	63	31	FRSLVPA	CAP	23 (5/20/2016)
Room 105	WF	26.1	-	-	Taken Off Line	CAP	-
Room 104	WF	189	-	-	Taken Off Line	CAP	-
Room 103	WF	414	-	-	Taken Off Line	CAP	-
Room 101	WF	416	-	-	Taken Off Line	CAP	-
K Sink 1	SK	10	NS	<1.0	None	-	-
K Sink 2	SK	2.8	NS	<1.0	None	-	-
K Sink 3	SK	2	NS	<1.0	None	-	-
K Pot Filler 4	SK	72	NS	3.3	FRSLV	Completed FR	15 (5/20/2016) #8.6 (6/1/2016)
K Pot Filler 5	SK	41	NS	<1.0	FRSLV	Completed FR	59 (5/20/2016) #4.5 (6/1/2016)
K Sprayer 6	Spray	300	NS	8.2	FRSLV	Completed FR	37 (5/20/2016) 51 (6/1/2016) #8.8 (6/12/2016)
K Sink 7	SK	14	NS	1.2	None	-	-
K Pot Filler 8	SK	1200	NS	7.5	FRSLV	CAP	-
K Sink 9	SK	3.4	NS	<1.0	None	-	-
K Sink 10	SK	<1.0	NS	<1.0	None	-	-
K Sink 11	SK	13	NS	1.8	None	-	-
Room 101	SK	7.9	-	-	None	-	-
Room 103	SK	18			FR	SIGN	94.6 (10/2/2018)

### Lead in Drinking Water Test Results

As of 11/16/18

Sample Location	Fixture Type	1 <sup>st</sup> Draw Results (ppb)	15 Second Draw Results (ppb)	60 Second Draw Results (ppb)	Remedial Recommendation	Remedial Response	Post Remediation Test Results (ppb)
Room 104	SK	18			FR	SIGN	222 (10/2/2018)
Room 105	SK	78			FR	SIGN	146 (10/2/2018)
Room 107	SK	8.9	-	-	None	-	-
CC By Superintendant Office	SS	3.7	-	-	None	-	-
Room 125	SK	110			FR	Completed FR	12.6
PDs BR	SK	3.2	-	-	None	-	-
Girls BR By Music RM	SK	14	-	-	None	-	-
Girls BR By Music RM [New Fixture 2018]	SK	6.84	-	-	None	-	-
Boys BR By Music RM	SK	4.7	-	-	None	-	-
Boys BR By Music RM [New Fixture 2018]	SK	6.52	-	-	None	-	-
Room 110 @ (A)	SK	68			FR	SIGN	
Room 110 @ (B)	SK	280			FR	SIGN	
Room 112 Unit 1 @ (A)	SK	13	-	-	None	-	-
Room 112 Unit 1 @ (B)	SK	9.5	-	-	None	-	-
Room 112 Unit 1 @ (C)	SK	15	-	-	None	-	-
Room 112 Unit 1 @ (D)	SK	9.9	-	-	None	-	-
CC By Auditorium	SS	5.2	-	-	None	-	-
Women BR By Gym A @ (A)	SK	13	-	-	None	-	-
Women BR By Gym A @ (A) [New Fixture 2018]	SK	8.86	-	-	None	-	-
Women BR By Gym A @ (B) - CAP	SK	2.5	-	-	None	-	-
Men BR by Gym A @ (A)	SK	6.8	-	-	None	-	-

### Lead in Drinking Water Test Results

As of 11/16/18

Sample Location	Fixture Type	1 <sup>st</sup> Draw Results (ppb)	15 Second Draw Results (ppb)	60 Second Draw Results (ppb)	Remedial Recommendation	Remedial Response	Post Remediation Test Results (ppb)
Men BR by Gym A @ (A) [New Fixture 2018]	SK	4.03	-	-	None	-	-
Men BR by Gym A @ (B) - CAP	SK	8	-	-	None	-	-
Girls LR @ (A)	SK	23			FR	SIGN	18.7 (10/2/2018)
Girls LR @ (B)	SK	22			FR	SIGN	102 (10/2/2018)
Boys LR	SK	23			FR	SIGN	22.9 (10/2/2018)
Main Office BR	SK	4.9	-	-	None	-	-
Nurses Office	SK	30			FR	SIGN	67.8 (10/2/2018)
Nurses Office BR	SK	11	-	-	None	-	-
Room 114	SK	11	-	-	None	-	-
Room 114 BR	SK	12	-	-	None	-	-
Room 115	SK	19			FR	SIGN	189 (10/2/2018)
Room 115 BR	SK	34			FR	Completed FR	4.94
Room 116	SK	20			FR	Completed FR	2.38
Room 116 BR	SK	7.1	-	-	None	-	-
CC in Rotunda	SS	5.8	-	-	None	-	-
Room 117	SK	221			FR	Completed FR	3.14
Room 117 BR	SK	13	-	-	None	-	-
Room 118	SK	38			FR	SIGN	37.5 (10/2/2018)
Room 118 BR	SK	8.4	-	-	None	-	-
Unisex BR	SK	2.7	-	-	None	-	-
Room 201	SK	23			FR	Completed FR	4.23
Room 202	SK	36			FR	SIGN	18 (10/2/2018)

### Lead in Drinking Water Test Results

As of 11/16/18

Sample Location	Fixture Type	1 <sup>st</sup> Draw Results (ppb)	15 Second Draw Results (ppb)	60 Second Draw Results (ppb)	Remedial Recommendation	Remedial Response	Post Remediation Test Results (ppb)
Room 203	SK	21			FR	Completed FR	12.8
Room 204	SK	28			FR	Completed FR	1.69
Room 205	SK	33			FR	Completed FR	9.57
Room 206	SK	10	-	-	None	-	-
Room 207	SK	30			FR	Completed FR	2.35
Room 208	SK	8.6	-	-	None	-	-
Girls BR By Room 208 @ (A)	SK	8.8	-	-	None	-	-
Girls BR By Room 208 @ (B)	SK	15	-	-	None	-	-
Girls BR By Room 208 @ (C)	SK	7.4	-	-	None	-	-
Girls BR By Room 208 @ (D)	SK	2.2	-	-	None	-	-
Girls BR By Room 208 @ (E)	SK	2.3	-	-	None	-	-
Women BR in Girls BR By Room 208	SK	3.7	-	-	None	-	-
CC By Room 210	SS	2.6	-	-	None	-	-
Room 210	SK	13	-	-	None	-	-
Boys BR By Room 210 @ (A)	SK	4.6	-	-	None	-	-
Boys BR By Room 210 @ (B)	SK	1.9	-	-	None	-	-
Boys BR By Room 210 @ (C)	SK	1.3	-	-	None	-	-
Boys BR By Room 210 @ (D)	SK	1.5	-	-	None	-	-
Men BR in Boys BR By Room 210	SK	2.2	-	-	None	-	-
Room 209	SK	17			FR	Completed FR	2.59
Room 211	SK	10	-	-	None	-	-
CC By Cafeteria	SS	8.2	-	-	None	-	-



### Lead in Drinking Water Test Results

As of 11/16/18

Sample Location	Fixture Type	1 <sup>st</sup> Draw Results (ppb)	15 Second Draw Results (ppb)	60 Second Draw Results (ppb)	Remedial Recommendation	Remedial Response	Post Remediation Test Results (ppb)
Teachers Faculty Room	SK	4.2	-	-	None	-	-
Room 213	SK	11	-	-	None	-	-
Girls BR By Room 213 @ (A)	SK	4	-	-	None	-	-
Girls BR By Room 213 @ (B)	SK	1.2	-	-	None	-	-
Boys BR By Room 213 @ (A)	SK	2.5	-	-	None	-	-
<b>Boys BR By Room 213 @ (B)</b>	<b>SK</b>	<b>16</b>			<b>FR</b>	<b>Completed FR</b>	<b>&lt;1.0</b>
Room 215	SK	12	-	-	None	-	-
Room 214	SK	3.2	-	-	None	-	-
<b>Room 217</b>	<b>SK</b>	<b>21</b>			<b>FR</b>	<b>Completed FR</b>	<b>3.79</b>
Room 216	SK	6.3	-	-	None	-	-
Room 218	SK	4.4	-	-	None	-	-
Room 219	SK	10	-	-	None	-	-
Room 220	SK	4.5	-	-	None	-	-
Room 221	SK	5.7	-	-	None	-	-
Room 221 [aerator replaced 2018]	SK	<1.0	-	-	None	-	-
Men BR By Room 221	SK	12	-	-	None	-	-
Women BR By Room 221	SK	8	-	-	None	-	-
CC By Room 221	SS	2.1	-	-	None	-	-

## Code Key

### Remediation Type Codes

FR	=	Fixture replacement
FRSLV	=	Replacement of fixture, supply lines, and valves
FRSLVPA	=	Replacement of fixture, supply lines, valves and plumbing assessment
SIGN	=	Warning sign posting
CAP	=	Remove fixture or cap line

### Room ID Codes

CC	=	Custodian Closet
MPR	=	Multi Purpose Room
Café	=	Cafeteria
Sci	=	Science Lab
PE	=	Physical Ed
BR	=	Bathroom
LR	=	Locker Room
RM	=	Room

### Fixture Type Codes

WF	=	Water Fountain
SK	=	Sink
SS	=	Slop Sink
SP	=	Spigot
PF	=	Pot Filler
HB	=	Hose Bib
IM	=	Ice Machine
WC	=	Water Cooler
SH	=	Shower
SL	=	Supply Line

### Result Code

ND	=	Not Detected
<	=	Less Than
-	=	No Testing Required
#	=	When seen in the Post Remediation Test Results: after numerous failing tests, the Hashtag is used to show a passing result



Lead in Drinking Water Test Results

As of 11/16/18

Sample Location	Fixture Type	1 <sup>st</sup> Draw Results (ppb)	15 Second Draw Results (ppb)	60 Second Draw Results (ppb)	Remedial Recommendation	Remedial Response	Post Remediation Test Results (ppb)
Hallway Custodial Office	WF	ND	-	-	None	-	-
Kitchen Sink	SK	3.51	-	-	None	-	-
Hallway Boys Gym Office	WF	1.75	-	-	None	-	-
Hallway Auditorium	WF	5.51	-	-	None	-	-
Hallway Room 115	WF	3.3	-	-	None	-	-
Hallway Room 122	WF	3.55	-	-	None	-	-
Hallway Main Office	WF	3.86	-	-	None	-	-
Hallway Room 105	WF	ND	-	-	None	-	-
Hallway Room 107	WF	4.42	-	-	None	-	-
Hallway Main Lobby	WF	ND	-	-	None	-	-
Hallway Room 203	WF	2.29	-	-	None	-	-
Hallway Room 224A	WF	ND	-	-	None	-	-
Hallway Room 218	WF	2.34	-	-	None	-	-
Hallway Room 210	WF	3.23	-	-	None	-	-
Hallway Room 207	WF	3.05	-	-	None	-	-
Hallway Girls Gym	WF	3.56	-	-	None	-	-
Lobby Boy's BR / Adult CAP	SK	1.7	-	-	None	-	-
Lobby Boy's BR @ (A)	SK	6.7	-	-	None	-	-
Lobby Boy's BR @ (A) [New Fixture 2018]	SK	20.1			FR	Completed FR	24.1 (9/11/2018) #4.71 (10/2/2018)
Lobby Boy's BR @ (B)	SK	1.3	-	-	None	-	-
Lobby Boy's BR @ (B) [New Fixture 2018]	SK	15.6			FR	Completed FR	12.1
Lobby Boy's BR @ (C)	SK	<1.0	-	-	None	-	-
Lobby Boy's BR @ (C) [Nw Fixture 2018]	SK	21.9			FR	Completed FR	6.84

Lead in Drinking Water Test Results

As of 11/16/18

Sample Location	Fixture Type	1 <sup>st</sup> Draw Results (ppb)	15 Second Draw Results (ppb)	60 Second Draw Results (ppb)	Remedial Recommendation	Remedial Response	Post Remediation Test Results (ppb)
Lobby Boy's BR @ (D) [Nw Fixture 2018]	SK	31.3			FR	Completed FR	22.4 (9/11/2018) #1.64 (10/2/2018)
Main Office Women's BR	SK	9.7	-	-	None	-	-
Nurse's Office	SK	3.9	-	-	None	-	-
Nurse's Office Break RM	SK	4	-	-	None	-	-
Nurse's Office BR	SK	25			FR	Completed FR	<1.0
Faculty Women's BR by Nurse's Office	SK	<1.0	-	-	None	-	-
Faculty Men's BR by RM 123	SK	<1.0	-	-	None	-	-
Boy's BR by RM 123 @ (A)	SK	3.1	-	-	None	-	-
Boy's BR by RM 123 @ (B)	SK	1.1	-	-	None	-	-
Boy's BR by RM 123 @ (C)	SK	3.5	-	-	None	-	-
Girl's BR by RM 116 @ (A)	SK	4.7	-	-	None	-	-
Girl's BR by RM 116 @ (B)	SK	1.3	-	-	None	-	-
Girl's BR by RM 116 @ (C)	SK	4.6	-	-	None	-	-
CC by RM 116	SS	2.3	-	-	None	-	-
Room 116 Teacher's Station	SK	5.3	-	-	None	-	-
Room 116 Table 1	SK	12	-	-	None	-	-
Room 116 Table 2	SK	13	-	-	None	-	-
Room 116 Table 3	SK	44			FR	SIGN	
Room 116 Table 4	SK	9.6	-	-	None	-	-
Room 116 Table 5	SK	84			FR	SIGN	
Room 116 Table 6	SK	20			FR	SIGN	
Room 116 Table 7	SK	17			FR	SIGN	
Room 116 Prep RM @ (A)	SK	31			FR	SIGN	

Lead in Drinking Water Test Results

As of 11/16/18

Sample Location	Fixture Type	1 <sup>st</sup> Draw Results (ppb)	15 Second Draw Results (ppb)	60 Second Draw Results (ppb)	Remedial Recommendation	Remedial Response	Post Remediation Test Results (ppb)
Room 116 Prep RM @ (B)	SK	150			FR	SIGN	
Room 116 Prep RM @ (C)	SK	35			FR	SIGN	
Faculty Women's BR by Teacher's Lounge @ (A)	SK	3.9	-	-	None	-	-
Faculty Women's BR by Teacher's Lounge @ (A) [New Fixture 2018]	SK	26.1			FR	Completed FR	5.22
Faculty Women's BR by Teacher's Lounge @ (B)-CAP	SK	6.5	-	-	None	-	-
Faculty Men's BR by Teacher's Lounge	SK	13	-	-	None	-	-
Faculty Men's BR by Teacher's Lounge [New Fixture 2018]	SK	33.6			FR	Completed FR	10.6
Audio Visual RM by Teacher's Lounge	SK	9300			FR	SIGN	218 (10/2/2018)
Women's BR by Cafeteria	SK	20			FR	Completed FR	4.33
CC by Custodian's BR	SS	7.7	-	-	None	-	-
Custodian's BR	SK	8.2	-	-	None	-	-
Girl's LR CC	SS	44			FR	SIGN	
Girl's LR BR @ (A)	SK	8.6	-	-	None	-	-
Girl's LR BR @ (B)	SK	7	-	-	None	-	-
Kitchen Slop Sink	SS	142			FR	SIGN	
Kitchen Handwash @ (A)	SK	3.2	-	-	None	-	-
Kitchen BR	SK	7.8	-	-	None	-	-
Kitchen Prep Sink @ (A)	SK	1.1	-	-	None	-	-
Kitchen Prep Sink @ (B)	SK	<1.0	-	-	None	-	-
Kitchen Sanitizer Station	SK	1.4	-	-	None	-	-
Kitchen Sanitizer Station	SPRAY	<1.0	-	-	None	-	-
Kitchen Handwash @ (B)	SK	7.1	-	-	None	-	-

Lead in Drinking Water Test Results

As of 11/16/18

Sample Location	Fixture Type	1 <sup>st</sup> Draw Results (ppb)	15 Second Draw Results (ppb)	60 Second Draw Results (ppb)	Remedial Recommendation	Remedial Response	Post Remediation Test Results (ppb)
Kitchen Pot Filler at Stove	SP	9.2	-	-	None	-	-
Kitchen Pot Filler at Steamer	SP	3.3	-	-	None	-	-
W. Serving Line Handwash	SK	1.9	-	-	None	-	-
Dishwash Station Handwash	SK	1.5	-	-	None	-	-
Dishwash Station	SPRAY	<1.0	-	-	None	-	-
<b>Dishwash Station</b>	<b>SK</b>	<b>18</b>			<b>FR</b>	<b>Completed FR</b>	<b>3.21</b>
E. Serving Line Handwash	SK	3.4	-	-	None	-	-
Men's BR by Boy's LR	SK	<1.0	-	-	None	-	-
Boy's LR CC	SS	10	-	-	None	-	-
Boy's LR BR @ (A)	SK	1.6	-	-	None	-	-
Boy's LR BR @ (B)	SK	3.7	-	-	None	-	-
Boy's LR Coache's Office	SK	4.1	-	-	None	-	-
Room 302 Unit @ (A)	SK	<1.0	-	-	None	-	-
Room 302 Unit @ (B)	SK	<1.0	-	-	None	-	-
Room 302 Unit @ (C)	SK	3.2	-	-	None	-	-
Room 301 Unit @ (A)	SK	1.8	-	-	None	-	-
Room 301 Unit @ (B)	SK	<1.0	-	-	None	-	-
Room 301 Unit @ (C)	SK	1.3	-	-	None	-	-
<b>Room 110 Teacher's Station</b>	<b>SK</b>	<b>16</b>			<b>FR</b>	<b>SIGN</b>	
Room 110 Table 1	SK	8	-	-	None	-	-
Room 110 Table 2	SK	10	-	-	None	-	-
<b>Room 110 Table 3</b>	<b>SK</b>	<b>26</b>			<b>FR</b>	<b>SIGN</b>	
Room 110 Table 4	SK	25			FR	SIGN	
Room 110 Table 5	SK	22			FR	SIGN	

Lead in Drinking Water Test Results

As of 11/16/18

Sample Location	Fixture Type	1 <sup>st</sup> Draw Results (ppb)	15 Second Draw Results (ppb)	60 Second Draw Results (ppb)	Remedial Recommendation	Remedial Response	Post Remediation Test Results (ppb)
Room 110 Table 6	SK	26			FR	SIGN	
Room 110 Table 7	SK	31			FR	SIGN	
Room 110/109 Prep Room @ (A)	SK	92			FR	SIGN	
Room 110/109 Prep Room @ (B)	SK	48			FR	SIGN	
Room 110/109 Prep Room @ (C)	SK	15			None	-	-
Room 109 Teacher's Station	SK	10	-	-	None	-	-
Room 109 Table 1	SK	34			FR	SIGN	
Room 109 Table 2	SK	46			FR	SIGN	
Room 109 Table 3	SK	41			FR	SIGN	
Room 109 Table 4	SK	56			FR	SIGN	
Room 109 Table 5	SK	17			FR	SIGN	
Room 109 Table 6	SK	13	-	-	None	-	-
Room 109 Table 7	SK	15			None	-	-
CC by RM 109	SS	2.2	-	-	None	-	-
Lobby Girl's BR / Teacher's- CAP	SK	1.4	-	-	None	-	-
Lobby Girl's BR @ (A)	SK	4.3	-	-	None	-	-
Lobby Girl's BR @ (A) [New Fixture 2018]	SK	7.34	-	-	None	-	-
Lobby Girl's BR @ (B)	SK	2.2	-	-	None	-	-
Lobby Girl's BR @ (B) [New Fixture 2018]	SK	4.1	-	-	None	-	-
Lobby Girl's BR @ (C) - CAP	SK	5.6	-	-	None	-	-
CC by RM 204	SS	12	-	-	None	-	-
Room 205 Teacher's Station	SK	23			FR	SIGN	
Room 205/204 Prep RM @ (A)	SK	6.8	-	-	None	-	-
Room 205/204 Prep RM @ (B)	SK	160			FR	SIGN	

Lead in Drinking Water Test Results

As of 11/16/18

Sample Location	Fixture Type	1 <sup>st</sup> Draw Results (ppb)	15 Second Draw Results (ppb)	60 Second Draw Results (ppb)	Remedial Recommendation	Remedial Response	Post Remediation Test Results (ppb)
Room 205/204 Prep RM @ (C)	SK	13	-	-	None	-	-
Room 204 Teacher's Station	SK	8.9	-	-	None	-	-
Room 204 Table 1	SK	40			FR	SIGN	
Room 204 Table 2	SK	27			FR	SIGN	
Room 204 Table 4	SK	21			FR	SIGN	
Room 204 Table 5	SK	19			FR	SIGN	
Room 204 Table 6	SK	21			FR	SIGN	
Room 204 Table 7	SK	12	-	-	None	-	-
Girl's BR / Teacher's by RM 203	SK	26			FR	SIGN	15.2 (10/2/2018)
Girl's BR by RM 203 @ (A)	SK	4.1	-	-	None	-	-
Girl's BR by RM 203 @ (B)	SK	3.7	-	-	None	-	-
Girl's BR by RM 203 @ (C)	SK	2.6	-	-	None	-	-
Boy's BR / Men's by RM 201	SK	14	-	-	None	-	-
Boy's BR by RM 201 @ (A)	SK	2.5	-	-	None	-	-
Boy's BR by RM 201 @ (B)	SK	13	-	-	None	-	-
Boy's BR by RM 201 @ (C)	SK	2.5	-	-	None	-	-
Room 223 Unit @ (A)	SK	4	-	-	None	-	-
Room 223 Unit @ (B)	SK	2.9	-	-	None	-	-
Room 223 Unit @ (C)	SK	1	-	-	None	-	-
Room 223 Unit @ (D)	SK	1.3	-	-	None	-	-
Room 223 Unit @ (E)	SK	1.3	-	-	None	-	-
Room 223 Unit @ (F)	SK	7.1	-	-	None	-	-
Room 222 Unit @ (A)	SK	32			FR	Completed FR	<1.0
Room 222 Unit @ (B)	SK	2.9	-	-	None	-	-



Lead in Drinking Water Test Results

As of 11/16/18

Sample Location	Fixture Type	1 <sup>st</sup> Draw Results (ppb)	15 Second Draw Results (ppb)	60 Second Draw Results (ppb)	Remedial Recommendation	Remedial Response	Post Remediation Test Results (ppb)
Room 222 Unit @ (C)	SK	11	-	-	None	-	-
Room 222 Unit @ (D)	SK	7.1	-	-	None	-	-
Room 222 Unit @ (E)	SK	2.9	-	-	None	-	-
Room 222 Unit @ (F)	SK	7.4	-	-	None	-	-
Boy's BR / Teacher's by RM 218	SK	9.4	-	-	None	-	-
Boy's BR by RM 218 @ (A)	SK	2.3	-	-	None	-	-
Boy's BR by RM 218 @ (B)	SK	6	-	-	None	-	-
Boy's BR by RM 218 @ (C)	SK	5.9	-	-	None	-	-
Girl's BR / Teacher's by RM 211	SK	1.6	-	-	None	-	-
Girl's BR by RM 211 @ (A)	SK	4.3	-	-	None	-	-
Girl's BR by RM 211 @ (B)	SK	5.6	-	-	None	-	-
CC by RM 211	SS	22			FR	SIGN	
Room 211 Teacher's Station	SK	77			FR	SIGN	
Room 211 Table 1	SK	18			FR	SIGN	
Room 211 Table 2	SK	20			FR	SIGN	
Room 211 Table 3	SK	21			FR	SIGN	
Room 211 Table 4	SK	24			FR	SIGN	
Room 211 Table 5	SK	39			FR	SIGN	
Room 211 Table 6	SK	35			FR	SIGN	
Room 211 Table 7	SK	26			FR	SIGN	
Room 211/210 Prep RM @ (A)	SK	46			FR	SIGN	
Room 211/210 Prep RM @ (B)	SK	1800			FR	SIGN	
Room 211/210 Prep RM @ (C)	SK	24			FR	SIGN	
Room 210 Teacher's Station	SK	15			None	-	-

Lead in Drinking Water Test Results

As of 11/16/18

Sample Location	Fixture Type	1 <sup>st</sup> Draw Results (ppb)	15 Second Draw Results (ppb)	60 Second Draw Results (ppb)	Remedial Recommendation	Remedial Response	Post Remediation Test Results (ppb)
Room 210 Table 1	SK	38			FR	SIGN	
Room 210 Table 2	SK	38			FR	SIGN	
Room 210 Table 3	SK	30			FR	SIGN	
Room 210 Table 4	SK	24			FR	SIGN	
Room 210 Table 5	SK	28			FR	SIGN	
Room 210 Table 6	SK	16			FR	SIGN	
Room 210 Table 7	SK	16			FR	SIGN	
Room 208 Station 1	SK	3.1	-	-	None	-	-
Room 208 Station 2	SK	3.5	-	-	None	-	-
Room 208 Station 3	SK	6.8	-	-	None	-	-
Room 208 Station 4	SK	4.6	-	-	None	-	-
Room 207 Station 1	SK	2.1	-	-	None	-	-
Room 207 Station 2	SK	1.9	-	-	None	-	-
Room 207 Station 3	SK	5.1	-	-	None	-	-
Room 207 Station 4	SK	5.7	-	-	None	-	-

## Code Key

### Remediation Type Codes

FR	=	Fixture replacement
FRSLV	=	Replacement of fixture, supply lines, and valves
FRSLVPA	=	Replacement of fixture, supply lines, valves and plumbing assessment
SIGN	=	Warning sign posting
CAP	=	Remove fixture or cap line

### Room ID Codes

CC	=	Custodian Closet
MPR	=	Multi Purpose Room
Café	=	Cafeteria
Sci	=	Science Lab
PE	=	Physical Ed
BR	=	Bathroom
LR	=	Locker Room
RM	=	Room

### Fixture Type Codes

WF	=	Water Fountain
SK	=	Sink
SS	=	Slop Sink
SP	=	Spigot
PF	=	Pot Filler
HB	=	Hose Bib
IM	=	Ice Machine
WC	=	Water Cooler
SH	=	Shower
SL	=	Supply Line

### Result Code

ND	=	Not Detected
<	=	Less Than
-	=	No Testing Required
#	=	When seen in the Post Remediation Test Results: after numerous failing tests, the Hashtag is used to show a passing result



Lead in Drinking Water Test Results

As of 11/16/18

Sample Location	Fixture Type	1 <sup>st</sup> Draw Results (ppb)	15 Second Draw Results (ppb)	60 Second Draw Results (ppb)	Remedial Recommendation	Remedial Response	Post Remediation Test Results (ppb)
Faculty Lounge	WF	1.36	-	-	None	-	-
Hall by Room 12	WF	2.82	-	-	None	-	-
Room 12	WF	3.85	-	-	None	-	-
Room 5	WF	1.34	-	-	None	-	-
Room 7	WF	4.7	-	-	None	-	-
Room 8	WF	4.83	-	-	None	-	-
Room 11	WF	16.5	1.8	1.5	FR	Completed FR	25 (5/20/2016) #6.7 (6/1/2016)
Room 10	WF	51.3	5.7	2.2	FR	Completed FR	9.2
Room 24	WF	14.8	-	-	None	-	-
Room 22	WF	14.5	-	-	None	-	-
Room 25	WF	4.15	-	-	None	-	-
Room 21	WF	4.96	-	-	None	-	-
Room 20	WF	4.88	-	-	None	-	-
Room 26	WF	4.8	-	-	None	-	-
Hall by Room 26	WF	3.29	-	-	None	-	-
Room 19	WF	71.9	23	8.7	FR	Completed FR	1.3
Room 18	WF	8.42	-	-	None	-	-
Room 17	WF	1.89	-	-	None	-	-
Room 16	WF	6.23	-	-	None	-	-
Hall by Room 15	WF	ND	-	-	None	-	-
Room 15	WF	1.29	-	-	None	-	-
Principal's Office	WF	7.17	-	-	None	-	-
Hall by Boiler Room	WF	17.7	2.9	2.1	FR	Completed FR	9.1

Lead in Drinking Water Test Results

As of 11/16/18

Sample Location	Fixture Type	1 <sup>st</sup> Draw Results (ppb)	15 Second Draw Results (ppb)	60 Second Draw Results (ppb)	Remedial Recommendation	Remedial Response	Post Remediation Test Results (ppb)
Main Office Meeting Area	WF	14.2	-	-	None	-	-
Kitchen Sink	SK	2.43	-	-	None	-	-
Hallway by Room 19	WF	1.3	-	-	None	-	-
Custodial Office BR	SK	11	-	-	None	-	-
Custodial Office	SS	3.9	-	-	None	-	-
Principal Office	SK	<2.5	-	-	None	-	-
Principal Office BR	SK	27			FR	SIGN	
Room 15	SK	78			FR	Completed FR	6.6
Room 15 BR	SK	12	-	-	None	-	-
Room 16	SK	47			FR	Completed FR	11
Room 17	SK	20			FR	Completed FR	<1.0
Room 17 BR	SK	26			FR	Completed FR	1.2
Room 18	SK	24			FR	Completed FR	<1.0
Room 18 BR	SK	7.3	-	-	None	-	-
Room 19	SK	35			FR	Completed FR	<1.0
Room 19 BR	SK	10	-	-	None	-	-
Room 20	SK	41			FR	Completed FR	1.5
Room 20 BR	SK	83			FR	Completed FR	7
Room 21	SK	22			FR	Completed FR	1.4
Room 21 BR	SK	20			FR	Completed FR	1.7
Room 22	SK	27			FR	Completed FR	<1.0
Room 22 BR	SK	25			FR	SIGN	28 (4/12/2017)
Room 24	SK	130			FR	Completed FR	1.1

Lead in Drinking Water Test Results

As of 11/16/18

Sample Location	Fixture Type	1 <sup>st</sup> Draw Results (ppb)	15 Second Draw Results (ppb)	60 Second Draw Results (ppb)	Remedial Recommendation	Remedial Response	Post Remediation Test Results (ppb)
Room 24 BR	SK	12	-	-	None	-	-
Room 25	SK	19			FR	Completed FR	1
Room 25 BR	SK	61			FR	SIGN	103 (4/12/2017)
Room 26	SK	25			FR	Completed FR	3.3
Girl's BR By Room 26 @ (A)	SK	<2.5	-	-	None	-	-
Girl's BR By Room 26 @ (B)	SK	<2.5	-	-	None	-	-
Girl's BR By Room 26 @ (C)	SK	7.7	-	-	None	-	-
Girl's BR By Room 26 @ Women	SK	<2.5	-	-	None	-	-
CC By Room 26	SS	9.5	-	-	None	-	-
Boys BR By Room 26 @ (A)	SK	4.7	-	-	None	-	-
Boys BR By Room 26 @ (B)	SK	2.6	-	-	None	-	-
Boys BR By Room 26 @ (C)	SK	10	-	-	None	-	-
Boys BR By Room 26 @ Women	SK	20			FR	SIGN	
Room 27 @ (A)	SK	9.3	-	-	None	-	-
Room 27 @ (B)	SK	7.9	-	-	None	-	-
Nurses Office BR	SK	2.1	-	-	None	-	-
Nurses Office BR [Fixture Replaced 2018]	SK	2.94	-	-	None	-	-
Main Office BR	SK	55			FR	SIGN	
Boys BR By Room 4 @ (A)	SK	5.5	-	-	None	-	-
Boys BR By Room 4 @ (B)	SK	5.6	-	-	None	-	-
Boys BR By Room 4 @ (C)	SK	6.3	-	-	None	-	-
Boys BR By Room 4 @ Men	SK	39			FR	SIGN	

Lead in Drinking Water Test Results

As of 11/16/18

Sample Location	Fixture Type	1 <sup>st</sup> Draw Results (ppb)	15 Second Draw Results (ppb)	60 Second Draw Results (ppb)	Remedial Recommendation	Remedial Response	Post Remediation Test Results (ppb)
CC By Room 4	SS	7.6	-	-	None	-	-
Girls BR By Room 4 @ (A)	SK	4.1	-	-	None	-	-
Girls BR By Room 4 @ (B)	SK	4.5	-	-	None	-	-
Girls BR By Room 4 @ (C)	SK	3.1	-	-	None	-	-
Girls BR By Room 4 @ Women	SK	5	-	-	None	-	-
Room 12	SK	<2.5	-	-	None	-	-
Room 11	SK	36			FR	Completed FR	16.5 (4/8/16) 25 (5/20/16) #6.7 (6/1/16)
Room 11 BR	SK	100			FR	SIGN	
Room 10	SK	66			FR	Completed FR	51.3 (4/8/16) #9.2 (5/20/16)
Room 10 BR	SK	99			FR	SIGN	
Room 8	SK	72			FR	SIGN	
Room 8 BR	SK	13	-	-	None	-	-
Room 7	SK	130			FR	SIGN	
Room 7 BR	SK	270			FR	SIGN	
Room 6	SK	98			FR	SIGN	
Room 5	SK	47			FR	SIGN	
Room 4	SK	39			FR	SIGN	
Room 3	SK	24			FR	SIGN	
Room 2	SK	15			None	-	-
Room 1	SK	7.5	-	-	None	-	-
Women BR By Main Office @ (A)	SK	<2.5	-	-	None	-	-

Lead in Drinking Water Test Results

As of 11/16/18

Sample Location	Fixture Type	1 <sup>st</sup> Draw Results (ppb)	15 Second Draw Results (ppb)	60 Second Draw Results (ppb)	Remedial Recommendation	Remedial Response	Post Remediation Test Results (ppb)
Women BR By Main Office @ (A) [Fixture Replaced 2018]	SK	52.8			FR	Completed FR	1.12
Women BR By Main Office @ (B)	SK	<2.5	-	-	None	-	-
Women BR by Main Office @ (B) [Fixture Replaced 2018]	SK	26			FR	Completed FR	1.2
Men BR By Main Office @ (A)	SK	3.6	-	-	None	-	-
Men BR by Main Office @ (A) [Fixture Replaced 2018]	SK	4.11	-	-	None	-	-
Men BR By Main Office @ (B)	SK	5	-	-	None	-	-
Men BR By Main Office @ (B) [Fixture Replaced 2018]	SK	5.2	-	-	None	-	-
Kitchen 3 Bay @(A)	SK	<2.5	-	-	None	-	-
Kitchen 3 Bay	SPRAY	9	-	-	None	-	-
Kitchen 3 Bay @ (B)	SK	3.1	-	-	None	-	-
Kitchen Handwash	SK	4.8	-	-	None	-	-
<b>Kitchen Pot Filler</b>	<b>SP</b>	<b>880</b>			<b>FR</b>	<b>SIGN</b>	
Kitchen CC	SS	<2.5	-	-	None	-	-
<b>Kitchen BR</b>	<b>SK</b>	<b>21</b>			<b>FR</b>	<b>SIGN</b>	
Art Room M3 @(B)	SS	3.4	-	-	None	-	-
Art Room M3 @ (A)	SS	2.6	-	-	None	-	-
Women BR by Room M4	SK	3.9	-	-	None	-	-
Men BR By Room M4	SK	1.4	-	-	None	-	-



## Code Key

### Remediation Type Codes

FR	=	Fixture replacement
FRSLV	=	Replacement of fixture, supply lines, and valves
FRSLVPA	=	Replacement of fixture, supply lines, valves and plumbing assessment
SIGN	=	Warning sign posting
CAP	=	Remove fixture or cap line

### Room ID Codes

CC	=	Custodian Closet
MPR	=	Multi Purpose Room
Café	=	Cafeteria
Sci	=	Science Lab
PE	=	Physical Ed
BR	=	Bathroom
LR	=	Locker Room
RM	=	Room

### Fixture Type Codes

WF	=	Water Fountain
SK	=	Sink
SS	=	Slop Sink
SP	=	Spigot
PF	=	Pot Filler
HB	=	Hose Bib
IM	=	Ice Machine
WC	=	Water Cooler
SH	=	Shower
SL	=	Supply Line

### Result Code

ND	=	Not Detected
<	=	Less Than
-	=	No Testing Required
#	=	When seen in the Post Remediation Test Results: after numerous failing tests, the Hashtag is used to show a passing result



Lead in Drinking Water Test Results

As of 11/16/18

Sample Location	Fixture Type	1 <sup>st</sup> Draw Results (ppb)	15 Second Draw Results (ppb)	60 Second Draw Results (ppb)	Remedial Recommendation	Remedial Response	Post Remediation Test Results (ppb)
Boiler Hallway	WF	3.03	-	-	None	-	-
Building & Grounds Hallway	WF	ND	-	-	None	-	-
Hallway-Door to Courtyard	WF	5.74	-	-	None	-	-
Hallway-Room 112	WF	5.23	-	-	None	-	-
Faculty Room	WF	1.08	-	-	None	-	-
Cafeteria "A"	WF	6.29	-	-	None	-	-
Cafeteria "B"	WF	ND	-	-	None	-	-
Hallway-Room 105	WF	3.85	-	-	None	-	-
Hallway-Room 103	WF	1.62	-	-	None	-	-
Hallway-Room 107	WF	1.53	-	-	None	-	-
Hallway-Room 109	WF	1.02	-	-	None	-	-
Hallway-Room 110	WF	4.5	-	-	None	-	-
Hallway-Room 150	WF	9.44	-	-	None	-	-
Hallway-Room 141	WF	5.44	-	-	None	-	-
<b>Hallway-Room 132, 4/11/16</b>	<b>WF</b>	<b>15.6</b>	<b>7.5</b>	<b>3.1</b>	<b>FR</b>	<b>CAP</b>	<b>18 (5/20/2016) 15 (6/1/2016)</b>
Hallway-Room 123	WF	6.06	-	-	None	-	-
Four Corners	WF	ND	-	-	None	-	-
Gym Lobby	WF	ND	-	-	None	-	-
Hallway-Room 263	WF	1.56	-	-	None	-	-
Hallway-Room 202	WF	ND	-	-	None	-	-
Hallway-Room 203	WF	3.32	-	-	None	-	-
Hallway-Room 208	WF	3.77	-	-	None	-	-
2nd Floor Ramp	WF	ND	-	-	None	-	-

Lead in Drinking Water Test Results

As of 11/16/18

Sample Location	Fixture Type	1 <sup>st</sup> Draw Results (ppb)	15 Second Draw Results (ppb)	60 Second Draw Results (ppb)	Remedial Recommendation	Remedial Response	Post Remediation Test Results (ppb)
Hallway-Room 251	WF	8.02	-	-	None	-	-
Hallway-Room 241	WF	3.97	-	-	None	-	-
Hallway-Room 228	WF	4.96	-	-	None	-	-
Hallway-Room 219	WF	1.37	-	-	None	-	-
Outside Spigot by Room 121	SP	2.5	-	-	None	-	-
Outside Spigot by Field House	SP	<1.0	-	-	None	-	-
Cafeteria's Faculty BR	SK	3.5	-	-	None	-	-
Custodial BR	SK	3.8	-	-	None	-	-
<b>Room 11 Unit 1 @ (A)</b>	<b>SK</b>	<b>19</b>			<b>FR</b>	<b>SIGN</b>	
Room 11 Unit 1 @ (B)	SK	10	-	-	None	-	-
<b>Room 11 Unit 1 @ (C)</b>	<b>SK</b>	<b>19</b>			<b>FR</b>	<b>SIGN</b>	
Room 12	SK	5.8	-	-	None	-	-
Room 12 Dark Room	SK	8.6	-	-	None	-	-
Room 13	SK	3.6	-	-	None	-	-
Faculty Men's BR by Bldg & Grounds @ (A)	SK	3	-	-	None	-	-
Faculty Men's BR by Bldg & Grounds @ (B)	SK	6.1	-	-	None	-	-
Faculty Men's BR by Bldg & Grounds @ (C)	SK	1.3	-	-	None	-	-
CC by Bldg & Grounds Office	SS	5.2	-	-	None	-	-
Faculty Ladies BR by Bldg & Grounds @ (A)	SK	1.3	-	-	None	-	-
Faculty Ladies BR by Bldg & Grounds @ (B)	SK	2.3	-	-	None	-	-
<b>Faculty Ladies BR by Bldg &amp; Grounds @ (C)</b>	<b>SK</b>	<b>17</b>			<b>FR</b>	<b>SIGN</b>	
Faculty Ladies BR by Bldg & Grounds @ (D)	SK	1.2	-	-	None	-	-
Room 005 @ (A)	SK	12	-	-	None	-	-

Lead in Drinking Water Test Results

As of 11/16/18

Sample Location	Fixture Type	1 <sup>st</sup> Draw Results (ppb)	15 Second Draw Results (ppb)	60 Second Draw Results (ppb)	Remedial Recommendation	Remedial Response	Post Remediation Test Results (ppb)
Room 005 @ (B)	SK	13	-	-	None	-	-
Room 144 at Teacher's Station	SK	348			FR	SIGN	
Room 144 Pod 1 @ (A)	SK	152			FR	SIGN	
Room 144 Pod 1 @ (B)	SK	140			FR	SIGN	
Room 144 Pod 2 @ (A)	SK	130			FR	SIGN	
Room 144 Pod 2 @ (B)	SK	98			FR	SIGN	
Room 144 Pod 3 @ (A)	SK	160			FR	SIGN	
Room 144 Pod 3 @ (B)	SK	220			FR	SIGN	
Room 144 Pod 4 @ (A)	SK	170			FR	SIGN	
Room 144 Pod 4 @ (B)	SK	170			FR	SIGN	
Room 144 Pod 5 @ (A)	SK	140			FR	SIGN	
Room 144 Pod 5 @ (B)	SK	140			FR	SIGN	
Room 144 Pod 6 @ (A)	SK	150			FR	SIGN	
Room 144 Counter	SK	48			FR	SIGN	
Room 144 Fume Hood	SK	300			FR	SIGN	
Room 144/145 Prep Room	SK	6.6	-	-	None	-	-
Room 145 at Teacher's Station	SK	230			FR	SIGN	
Room 145 Pod 1 @ (A)	SK	240			FR	SIGN	
Room 145 Pod 1 @ (B)	SK	250			FR	SIGN	
Room 145 Pod 2 @ (A)	SK	190			FR	SIGN	
Room 145 Pod 2 @ (B)	SK	330			FR	SIGN	
Room 145 Pod 3 @ (A)	SK	310			FR	SIGN	
Room 145 Pod 3 @ (B)	SK	250			FR	SIGN	

Lead in Drinking Water Test Results

As of 11/16/18

Sample Location	Fixture Type	1 <sup>st</sup> Draw Results (ppb)	15 Second Draw Results (ppb)	60 Second Draw Results (ppb)	Remedial Recommendation	Remedial Response	Post Remediation Test Results (ppb)
Room 145 Pod 4 @ (A)	SK	200			FR	SIGN	
Room 145 Pod 4 @ (B)	SK	310			FR	SIGN	
Room 145 Pod 5 @ (A)	SK	150			FR	SIGN	
Room 145 Pod 5 @ (B)	SK	350			FR	SIGN	
Room 145 Pod 6 @ (A)	SK	190			FR	SIGN	
Room 145 Pod 6 @ (B)	SK	230			FR	SIGN	
Room 145 Counter	SK	150			FR	SIGN	
Room 145 Fume Hood	SK	350			FR	SIGN	
Room 146 at Teacher's Station	SK	27			FR	SIGN	
Room 146 Table 1 @ (A)	SK	45			FR	SIGN	
Room 146 Table 1 @ (B)	SK	47			FR	SIGN	
Room 146 Table 2 @ (A)	SK	14	-	-	None	-	-
Room 146 Table 2 @ (B)	SK	20			FR	SIGN	
Room 146 Table 3 @ (A)	SK	25			FR	SIGN	
Room 146 Table 3 @ (B)	SK	15	-	-	None	-	-
Room 146 Table 4	SK	110			FR	SIGN	
Room 146 Table 5 @ (A)	SK	74			FR	SIGN	
Room 146 Table 5 @ (B)	SK	48			FR	SIGN	
Room 146 Table 6 @ (A)	SK	19			FR	SIGN	
Room 146 Table 6 @ (B)	SK	11	-	-	None	-	-
Room 146 Table 7 @ (A)	SK	12	-	-	None	-	-
Room 146 Table 7 @ (B)	SK	28			FR	SIGN	
Room 146 Counter	SK	43			FR	SIGN	

Lead in Drinking Water Test Results

As of 11/16/18

Sample Location	Fixture Type	1 <sup>st</sup> Draw Results (ppb)	15 Second Draw Results (ppb)	60 Second Draw Results (ppb)	Remedial Recommendation	Remedial Response	Post Remediation Test Results (ppb)
Room 146 Prep Room	SK	42			FR	SIGN	
Room 148 Table 1 @ (A)	SK	23			FR	SIGN	
Room 148 Table 1 @ (B)	SK	42			FR	SIGN	
Room 148 Table 3 @ (A)	SK	370			FR	SIGN	
Room 148 Table 3 @ (B)	SK	360			FR	SIGN	
Room 148 Table 4 @ (A)	SK	170			FR	SIGN	
Room 148 Table 4 @ (B)	SK	160			FR	SIGN	
Room 148 Table 6 @ (A)	SK	130			FR	SIGN	
Room 148 Table 6 @ (B)	SK	72			FR	SIGN	
Room 148 Counter	SK	48			FR	SIGN	
Room 150 at Teacher's Station	SK	180			FR	SIGN	
Room 150 Counter 1	SK	210			FR	SIGN	
Room 150 Counter 2	SK	110			FR	SIGN	
Room 141 at Teacher's Station	SK	11	-	-	None	-	-
Room 141 Table 1 @ (A)	SK	8.5	-	-	None	-	-
Room 141 Table 1 @ (B)	SK	4.8	-	-	None	-	-
Room 141 Table 2 @ (A)	SK	14	-	-	None	-	-
Room 141 Table 2 @ (B)	SK	18			FR	SIGN	
Room 141 Table 3 @ (A)	SK	19			FR	SIGN	
Room 141 Table 3 @ (B)	SK	2.9	-	-	None	-	-
Room 141 Counter 1	SK	3.3	-	-	None	-	-
Room 141 Counter 2	SK	9.6	-	-	None	-	-
Room 141 Counter 3	SK	20			FR	SIGN	

Lead in Drinking Water Test Results

As of 11/16/18

Sample Location	Fixture Type	1 <sup>st</sup> Draw Results (ppb)	15 Second Draw Results (ppb)	60 Second Draw Results (ppb)	Remedial Recommendation	Remedial Response	Post Remediation Test Results (ppb)
Room 140/141 Prep Room	SK	1100			FR	SIGN	
Room 143 at Teacher's Station	SK	120			FR	SIGN	
Room 143 Table 1 @ (A)	SK	19			FR	SIGN	
Room 143 Table 1 @ (B)	SK	15	-	-	None	-	-
Room 143 Table 2 @ (A)	SK	13	-	-	None	-	-
Room 143 Table 2 @ (B)	SK	4.2	-	-	None	-	-
Room 143 Table 3 @ (A)	SK	21			FR	SIGN	
Room 143 Table 3 @ (B)	SK	3.4	-	-	None	-	-
Room 143 Counter 1 @ (A)	SK	330			FR	SIGN	
Room 143 Counter 1 @ (B)	SK	100			FR	SIGN	
Room 143 Counter 2	SK	16			FR	SIGN	
CC by Room 143	SS	120			FR	SIGN	
Women's BR by RM 143	SK	1.9	-	-	None	-	-
Room 115 at Teacher's Station	SK	25			FR	SIGN	
Room 115 Counter 1 @ (A)	SK	5.4	-	-	None	-	-
Room 115 Counter 1 @ (B)	SK	13	-	-	None	-	-
Room 115 Counter 2	SK	5.6	-	-	None	-	-
Room 112 Table 1 @ (B)	SK	12	-	-	None	-	-
Room 112 Table 2 @ (A)	SK	18			FR	SIGN	
Room 112 Table 2 @ (B)	SK	5.6	-	-	None	-	-
Room 112 Table 3 @ (A)	SK	7.4	-	-	None	-	-
Room 112 Table 3 @ (B)	SK	7.1	-	-	None	-	-
Room 112 Counter 2	SK	22			FR	SIGN	

Lead in Drinking Water Test Results

As of 11/16/18

Sample Location	Fixture Type	1 <sup>st</sup> Draw Results (ppb)	15 Second Draw Results (ppb)	60 Second Draw Results (ppb)	Remedial Recommendation	Remedial Response	Post Remediation Test Results (ppb)
Room 112 Prep Room	SK	31			FR	SIGN	
Room 114 at Teacher's Station	SK	16			FR	SIGN	
Room 114 Counter 1	SK	3.2	-	-	None	-	-
Room 114 Counter 2 @ (A)	SK	10	-	-	None	-	-
Room 114 Counter 2 @ (B)	SK	3.1	-	-	None	-	-
CC by Room 114	SS	7.7	-	-	None	-	-
Room 110 at Teacher's Station	SK	5.7	-	-	None	-	-
Room 110 Table 1 @ (A)	SK	21			FR	SIGN	
Room 110 Table 1 @ (B)	SK	20			FR	SIGN	
Room 110 Table 2 @ (A)	SK	18			FR	SIGN	
Room 110 Table 2 @ (B)	SK	6.7	-	-	None	-	-
Room 110 Table 3 @ (A)	SK	6.3	-	-	None	-	-
Room 110 Table 3 @ (B)	SK	22			FR	SIGN	
Room 110 Counter 1	SK	9.5	-	-	None	-	-
Room 110 Counter 2 @ (A)	SK	37			FR	SIGN	
Room 110 Counter 2 @ (B)	SK	99			FR	SIGN	
Prep Room by RM 110	SK	13	-	-	None	-	-
Room 109 at Teacher's Station	SK	64			FR	SIGN	
Room 109 Counter 1 @ (A)	SK	77			FR	SIGN	
Room 109 Counter 1 @ (B)	SK	48			FR	SIGN	
Room 109 Counter 2 @ (A)	SK	52			FR	SIGN	
Room 109 Counter 2 @ (B)	SK	39			FR	SIGN	
Faculty Ladies BR by Main Office @ (A)	SK	3.3	-	-	None	-	-



Lead in Drinking Water Test Results

As of 11/16/18

Sample Location	Fixture Type	1 <sup>st</sup> Draw Results (ppb)	15 Second Draw Results (ppb)	60 Second Draw Results (ppb)	Remedial Recommendation	Remedial Response	Post Remediation Test Results (ppb)
Faculty Ladies BR by Main Office @ (B)	SK	4.1	-	-	None	-	-
Faculty Men's BR by Main Office @ (A)	SK	3.7	-	-	None	-	-
Faculty Men's BR by Main Office @ (B)	SK	8	-	-	None	-	-
Room 108	SK	15	-	-	None	-	-
Room 107 Unit 1 @ (A)	SK	6.3	-	-	None	-	-
Room 107 Unit 1 @ (B)	SK	7.3	-	-	None	-	-
Room 106 Unit 1 @ (A)	SK	13	-	-	None	-	-
Room 106 Unit 1 @ (B)	SK	11	-	-	None	-	-
Room 106 Unit 1 @ (C)	SK	9.5	-	-	None	-	-
Art Wing Women's BR Unit 1 @ (A)	SK	1.6	-	-	None	-	-
Art Wing Women's BR Unit 1 @ (B)	SK	1.7	-	-	None	-	-
Art Wing Women's BR Unit 1 @ (C)	SK	2	-	-	None	-	-
Art Wing Women's BR Unit 1 @ (D)	SK	2.3	-	-	None	-	-
Art Wing CC	SS	1	-	-	None	-	-
Art Wing Men's BR Unit 1 @ (D)	SK	2.6	-	-	None	-	-
Music Wing CC by RM 102 A	SS	8.9	-	-	None	-	-
<b>Music Office</b>	<b>SK</b>	<b>32</b>			<b>FR</b>	<b>SIGN</b>	
Main Office BR	SK	1.6	-	-	None	-	-
Nurse's Office	SK	5.9	-	-	None	-	-
Nurse's Office BR	SK	5	-	-	None	-	-
<b>Nurse's Office Exam Room</b>	<b>SK</b>	<b>29</b>			<b>FR</b>	<b>SIGN</b>	
Kitchen West Serving Line Handwash	SK	7.5	-	-	None	-	-
Kitchen Handwash @ (A)	SK	1.9	-	-	None	-	-

Lead in Drinking Water Test Results

As of 11/16/18

Sample Location	Fixture Type	1 <sup>st</sup> Draw Results (ppb)	15 Second Draw Results (ppb)	60 Second Draw Results (ppb)	Remedial Recommendation	Remedial Response	Post Remediation Test Results (ppb)
Kitchen Prep @ (A)	SK	6.7	-	-	None	-	-
Kitchen Prep @ (B)	SK	3.4	-	-	None	-	-
Kitchen Handwash @ (B)	SK	7	-	-	None	-	-
<b>Kitchen Dishwash Station</b>	<b>SPRAY</b>	<b>105</b>			<b>FR</b>	<b>SIGN</b>	
Kitchen Sanitizer Station @ (A)	SK	2.3	-	-	None	-	-
Kitchen Sanitizer Station @ (B)	SK	<1.0	-	-	None	-	-
Kitchen Sanitizer Station @ (C)	SK	2.6	-	-	None	-	-
Kitchen Sanitizer Station @ (D)	SK	3.9	-	-	None	-	-
Kitchen Island by Stove	SK	9.4	-	-	None	-	-
Kitchen Pot Filler at Stove	SK	7.2	-	-	None	-	-
Kitchen at Steamer	SPRAY	5.8	-	-	None	-	-
<b>Kitchen East Serving Line Handwash @ (A)</b>	<b>SK</b>	<b>20</b>			<b>FR</b>	<b>SIGN</b>	
Kitchen East Serving Line Handwash @ (B)	SK	7.7	-	-	None	-	-
Faculty Dining RM by Cafeteria	SK	1.3	-	-	None	-	-
Men's BR by Elevator @ (A)	SK	4.9	-	-	None	-	-
Men's BR by Elevator @ (B)	SK	6	-	-	None	-	-
Men's BR by Elevator @ (C)	SK	2.3	-	-	None	-	-
Men's BR by Elevator @ (D)	SK	6.1	-	-	None	-	-
Men's BR by RM 123 @ (A)	SK	2.9	-	-	None	-	-
Men's BR by RM 123 @ (A) [New Fixture 2018]	SK	5.81	-	-	None	-	-
Men's BR by RM 123 @ (B)	SK	2.2	-	-	None	-	-
Men's BR by RM 123 @ (B) [New Fixture 2018]	SK	6.57	-	-	None	-	-
Men's BR by RM 123 @ ©- CAP	SK	2.4	-	-	None	-	-

Lead in Drinking Water Test Results

As of 11/16/18

Sample Location	Fixture Type	1 <sup>st</sup> Draw Results (ppb)	15 Second Draw Results (ppb)	60 Second Draw Results (ppb)	Remedial Recommendation	Remedial Response	Post Remediation Test Results (ppb)
Men's BR by RM 123 @ (D) - CAP	SK	2.2	-	-	None	-	-
CC by Room 123	SS	6.5	-	-	None	-	-
Women's BR by RM 123 @ (A)	SK	1.7	-	-	None	-	-
Women's BR by RM 123 @ (A) [New Fixture 2018]	SK	8.02	-	-	None	-	-
Women's BR by RM 123 @ (B)	SK	1.1	-	-	None	-	-
Women's BR by RM 123 @ (B) [New Fixture 2018]	SK	5.24	-	-	None	-	-
Women's BR by RM 123 @ © - CAP	SK	<1.0	-	-	None	-	-
Women's BR by RM 123 @ (D) - CAP	SK	1	-	-	None	-	-
<b>Library Office</b>	<b>SK</b>	<b>16</b>			<b>FR</b>	<b>SIGN</b>	
Women's BR by RM 122 @ (A)	SK	6	-	-	None	-	-
Women's BR by RM 122 @ (B)	SK	3.8	-	-	None	-	-
Women's BR by RM 122 @ (C)	SK	3.9	-	-	None	-	-
Men's BR by RM 122 @ (A)	SK	4.7	-	-	None	-	-
Men's BR by RM 122 @ (B)	SK	7.4	-	-	None	-	-
CC in South Girl's LR	SS	5.3	-	-	None	-	-
S. Girl's LR BR @ (A)	SK	6.7	-	-	None	-	-
S. Girl's LR BR @ (B)	SK	<1.0	-	-	None	-	-
S. Girl's LR Coach's Office BR	SK	2.8	-	-	None	-	-
P.E. Office BR	SK	7.5	-	-	None	-	-
Team LR BR @ (A)	SK	<1.0	-	-	None	-	-
Team LR BR @ (B)	SK	4.5	-	-	None	-	-
CC in Team LR	SS	3.6	-	-	None	-	-
<b>Team LR Girl's E BR</b>	<b>SK</b>	<b>22</b>			<b>FR</b>	<b>Completed FR</b>	<b>#8.87 (8/31/2018)</b>

Lead in Drinking Water Test Results

As of 11/16/18

Sample Location	Fixture Type	1 <sup>st</sup> Draw Results (ppb)	15 Second Draw Results (ppb)	60 Second Draw Results (ppb)	Remedial Recommendation	Remedial Response	Post Remediation Test Results (ppb)
Team LR Trainer's Office BR	SK	11	-	-	None	-	-
Boy's LR BR @ (A)	SK	1.9	-	-	None	-	-
Boy's LR BR @ (B)	SK	10	-	-	None	-	-
Boy's LR Coach's BR @ (A)	SK	14	-	-	None	-	-
CC in Boy's LR	SS	1.6	-	-	None	-	-
2nd Fl. Faculty Room	SK	1.5	-	-	None	-	-
Faculty Men's BR @ (A)	SK	3.2	-	-	None	-	-
Faculty Women's BR @ (A)	SK	4.7	-	-	None	-	-
Faculty Women's BR @ (B)	SK	4.3	-	-	None	-	-
CC by RM 219	SS	12	-	-	None	-	-
<b>Room 216 A</b>	<b>SK</b>	<b>20</b>			<b>FR</b>	<b>SIGN</b>	
Women's BR by RM 203 @ (A)	SK	3.6	-	-	None	-	-
Women's BR by RM 203 @ (B)	SK	2.9	-	-	None	-	-
Women's BR by RM 203 @ (C)	SK	1.2	-	-	None	-	-
Women's BR by RM 203 @ (D)	SK	1.8	-	-	None	-	-
CC by RM 203	SS	4.5	-	-	None	-	-
Men's BR by RM 203 @ (A)	SK	1.4	-	-	None	-	-
Men's BR by RM 203 @ (B)	SK	<1.0	-	-	None	-	-
Men's BR by RM 203 @ (C)	SK	1.3	-	-	None	-	-
Men's BR by RM 203 @ (D)	SK	1	-	-	None	-	-
<b>Room 209 at Teacher's Station</b>	<b>SK</b>	<b>73</b>			<b>FR</b>	<b>SIGN</b>	
<b>Room 209 Table 1 @ (A)</b>	<b>SK</b>	<b>97</b>			<b>FR</b>	<b>SIGN</b>	
<b>Room 209 Table 1 @ (B)</b>	<b>SK</b>	<b>65</b>			<b>FR</b>	<b>SIGN</b>	
<b>Room 209 Table 1 @ (C)</b>	<b>SK</b>	<b>100</b>			<b>FR</b>	<b>SIGN</b>	
<b>Room 209 Table 1 @ (D)</b>	<b>SK</b>	<b>81</b>			<b>FR</b>	<b>SIGN</b>	

Lead in Drinking Water Test Results

As of 11/16/18

Sample Location	Fixture Type	1 <sup>st</sup> Draw Results (ppb)	15 Second Draw Results (ppb)	60 Second Draw Results (ppb)	Remedial Recommendation	Remedial Response	Post Remediation Test Results (ppb)
Room 209 Table 2 @ (A)	SK	46			FR	SIGN	
Room 209 Table 2 @ (B)	SK	17			FR	SIGN	
Room 209 Fume Hood	SK	128			FR	SIGN	
Room 209 Table 2 @ (C)	SK	83			FR	SIGN	
Room 209 Table 2 @ (D)	SK	83			FR	SIGN	
Room 209 Table 3 @ (A)	SK	106			FR	SIGN	
Room 209 Table 3 @ (B)	SK	89			FR	SIGN	
Room 209 Table 3 @ (C)	SK	115			FR	SIGN	
Room 209 Table 3 @ (D)	SK	144			FR	SIGN	
Room 209 Counter 1 @ (A)	SK	83			FR	SIGN	
Room 209 Counter 1 @ (B)	SK	50			FR	SIGN	
Room 209 Counter 2	SK	33			FR	SIGN	
Room 208 at Teacher's Station	SK	48			FR	SIGN	
Room 208 Table 1 @ (A)	SK	76			FR	SIGN	
Room 208 Table 1 @ (B)	SK	153			FR	SIGN	
Room 208 Table 1 @ (C)	SK	213			FR	SIGN	
Room 208 Table 1 @ (D)	SK	85			FR	SIGN	
Room 208 Table 2 @ (A)	SK	51			FR	SIGN	
Room 208 Table 2 @ (B)	SK	54			FR	SIGN	
Room 208 Fume Hood	SK	160			FR	SIGN	
Room 208 Table 2 @ (C)	SK	86			FR	SIGN	
Room 208 Table 2 @ (D)	SK	101			FR	SIGN	
Room 208 Table 3 @ (A)	SK	91			FR	SIGN	
Room 208 Table 3 @ (B)	SK	78			FR	SIGN	
Room 208 Table 3 @ (C)	SK	92			FR	SIGN	
Room 208 Table 3 @ (D)	SK	106			FR	SIGN	
Room 208 Counter 1	SK	61			FR	SIGN	
Room 208 Counter 2 @ (A)	SK	76			FR	SIGN	
Room 208 Counter 2 @ (B)	SK	284			FR	SIGN	
Room 208 Prep Room	SK	26			FR	SIGN	
Faculty Ladies BR on the Ramp @ (B)	SK	20			FR	SIGN	
Faculty Ladies BR on the Ramp @ (C)	SK	8.9	-	-	None	-	-
Faculty Ladies BR on the Ramp @ (D)	SK	11	-	-	None	-	-
Faculty Ladies BR by Copy Room	SK	4.1	-	-	None	-	-

### Lead in Drinking Water Test Results

As of 11/16/18

Sample Location	Fixture Type	1 <sup>st</sup> Draw Results (ppb)	15 Second Draw Results (ppb)	60 Second Draw Results (ppb)	Remedial Recommendation	Remedial Response	Post Remediation Test Results (ppb)
CC by Copy Room	SS	1.4	-	-	None	-	-
2nd Fl Faculty BR by Elevator @ (A)	SK	9.4	-	-	None	-	-
2nd Fl Faculty BR by Elevator @ (B)	SK	4.9	-	-	None	-	-

## Code Key

### Remediation Type Codes

FR	=	Fixture replacement
FRSLV	=	Replacement of fixture, supply lines, and valves
FRSLVPA	=	Replacement of fixture, supply lines, valves and plumbing assessment
SIGN	=	Warning sign posting
CAP	=	Remove fixture or cap line

### Room ID Codes

CC	=	Custodian Closet
MPR	=	Multi Purpose Room
Café	=	Cafeteria
Sci	=	Science Lab
PE	=	Physical Ed
BR	=	Bathroom
LR	=	Locker Room
RM	=	Room

### Fixture Type Codes

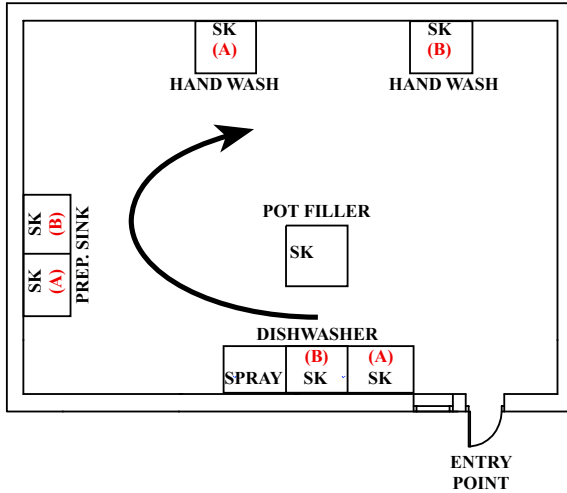
WF	=	Water Fountain
SK	=	Sink
SS	=	Slop Sink
SP	=	Spigot
PF	=	Pot Filler
HB	=	Hose Bib
IM	=	Ice Machine
WC	=	Water Cooler
SH	=	Shower
SL	=	Supply Line

### Result Code

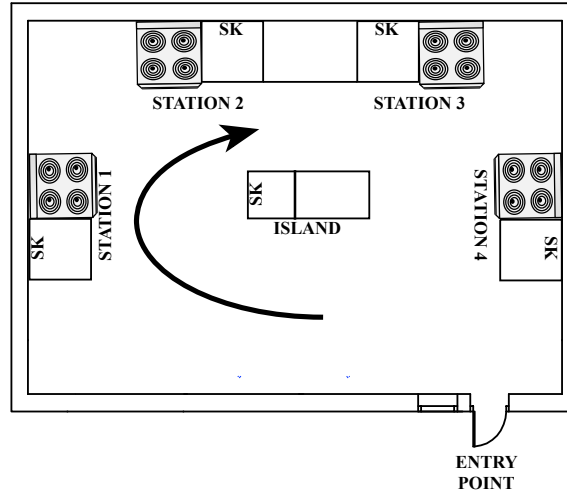
ND	=	Not Detected
<	=	Less Than
-	=	No Testing Required
#	=	When seen in the Post Remediation Test Results: after numerous failing tests, the Hashtag is used to show a passing result



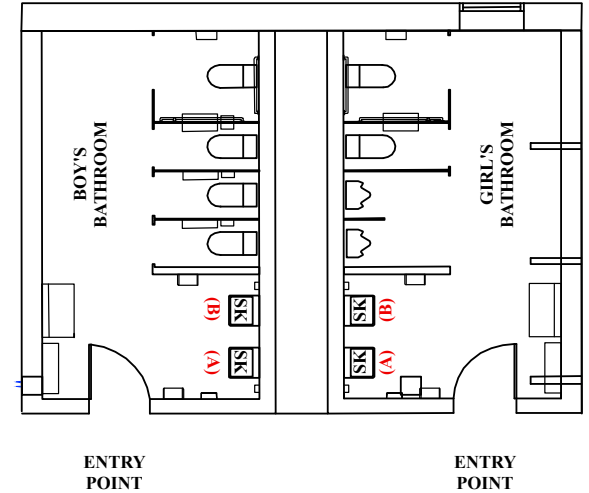
**KITCHEN  
DIAGRAM**



**HOME ECONOMICS / CAREER  
DIAGRAM**



**GANG BATHROOM  
DIAGRAM**



**SAMPLE IDENTIFICATION (example)**

LOCATION	SOURCE
Kitchen Dishwash Station @ (A)	SK
Kitchen Dishwash Station @ (B)	SK
Kitchen Dishwasher	SPRAY
Prep. Sink @ (A)	SK
Prep. Sink @ (B)	SK
Kitchen Hand Wash @ (A)	SK
Kitchen Hand Wash @ (B)	SK
Kitchen Pot Filler	SK

**SAMPLE IDENTIFICATION (example)**

LOCATION	SOURCE
Carrier RM - Station 1	SK
Carrier RM - Station 2	SK
Carrier RM - Station 3	SK
Carrier RM - Station 4	SK
Carrier RM - Island	SK

**SAMPLE IDENTIFICATION (example)**

LOCATION	SOURCE
Girl's BR @ (A)	SK
Girl's BR @ (B)	SK
Boy's BR @ (A)	SK
Boy's BR @ (B)	SK



ENVIROSCIENCE  
CONSULTANTS, INC.  
2150 SMITHTOWN AVENUE  
RONKONKOMA, NY 11779  
(631) 580-3191  
FAX 580-3195  
www.envirohealth.org

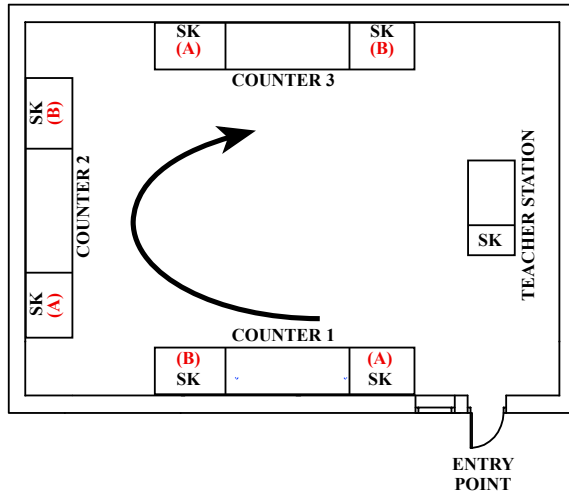
KEY PLAN  
NO SCALE

**WATER SAMPLING METHODOLOGY**

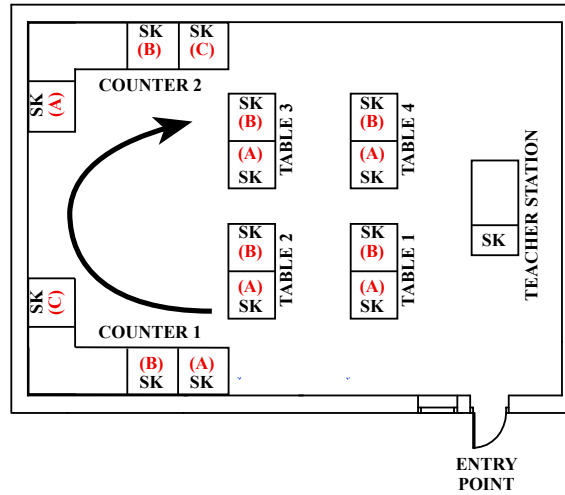
NOT TO SCALE  
Date: 9/26/2016  
By: Robert Cardona



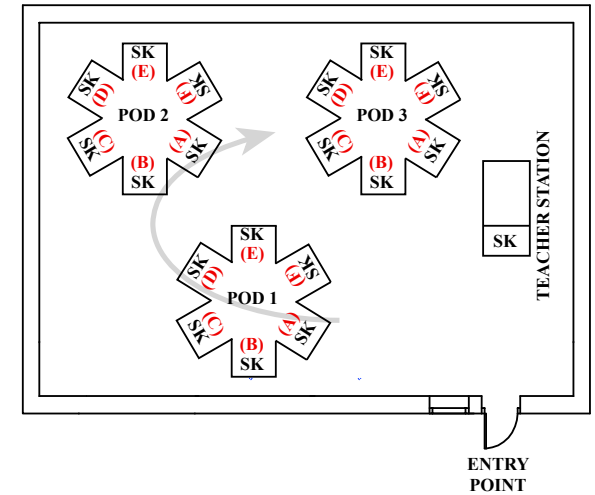
**SCIENCE ROOM TYPE 1  
DIAGRAM**



**SCIENCE ROOM TYPE 2  
DIAGRAM**



**SCIENCE ROOM TYPE 3  
DIAGRAM**



**SAMPLE IDENTIFICATION (example)**

LOCATION	SOURCE
Room 200 - Teacher Station	SK
Room 200 - Counter 1 @ (A)	SK
Room 200 - Counter 1 @ (B)	SK
Room 200 - Counter 2 @ (A)	SK
Room 200 - Counter 2 @ (B)	SK
Room 200 - Counter 3 @ (A)	SK
Room 200 - Counter 3 @ (B)	SK

**SAMPLE IDENTIFICATION (example)**

LOCATION	SOURCE
Room 200 - Teacher Station	SK
Room 200 - Table 1 @ (A)	SK
Room 200 - Table 1 @ (B)	SK
Room 200 - Table 2 @ (A)	SK
Room 200 - Table 2 @ (B)	SK
Room 200 - Table 3 @ (A)	SK
Room 200 - Table 3 @ (B)	SK
Room 200 - Table 4 @ (A)	SK
Room 200 - Table 4 @ (B)	SK
Room 200 - Counter 1 @ (A)	SK
Room 200 - Counter 1 @ (B)	SK
Room 200 - Counter 1 @ (C)	SK
Room 200 - Counter 2 @ (A)	SK
Room 200 - Counter 2 @ (B)	SK
Room 200 - Counter 2 @ (C)	SK

**SAMPLE IDENTIFICATION (example)**

LOCATION	SOURCE
Room 200 - Teacher Station	SK
Room 200 - POD 1 @ (A)	SK
Room 200 - POD 1 @ (B)	SK
Room 200 - POD 1 @ (C)	SK
Room 200 - POD 1 @ (D)	SK
Room 200 - POD 1 @ (E)	SK
Room 200 - POD 1 @ (F)	SK
Room 200 - POD 2 @ (A)	SK
Room 200 - POD 2 @ (B)	SK
Room 200 - POD 2 @ (C)	SK
Room 200 - POD 2 @ (D)	SK
Room 200 - POD 2 @ (E)	SK
Room 200 - POD 2 @ (F)	SK
Room 200 - POD 3 @ (A)	SK
Room 200 - POD 3 @ (B)	SK
Room 200 - POD 3 @ (C)	SK
Room 200 - POD 3 @ (D)	SK
Room 200 - POD 3 @ (E)	SK
Room 200 - POD 3 @ (F)	SK



ENVIROSCIENCE  
CONSULTANTS, INC  
2150 SMITHTOWN AVENUE  
RONKONKOMA, NY 11779  
(631) 580-3191  
FAX 580-3195  
www.envirohealth.org

KEY PLAN  
NO SCALE

**WATER SAMPLING METHODOLOGY**

NOT TO SCALE

Date: 9/26/2016

By: Robert Cardona